

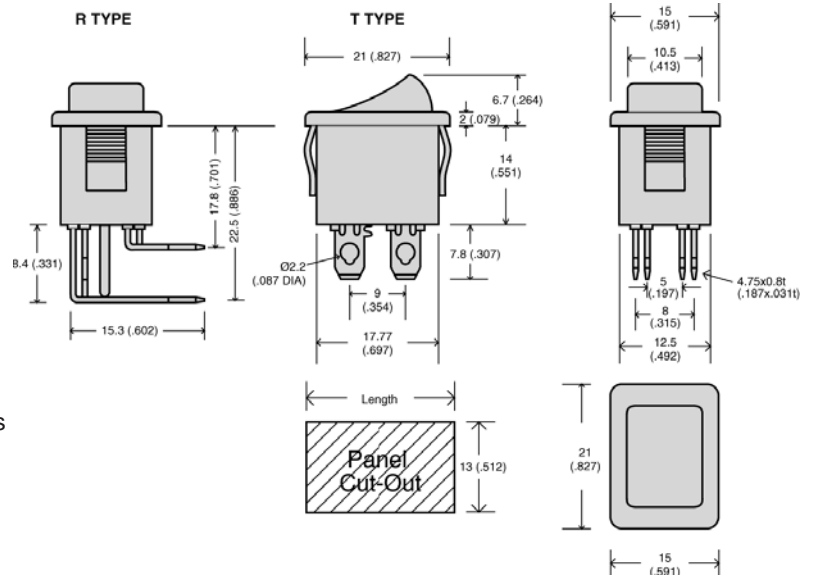
R9 Miniature Rocker Switches

Features

- Σ Lighted or non-lighted
- Σ Snap-in mounting
- Σ Quick connect terminals
- Σ approvals available

Specifications

- Σ Rating6A 250V AC
- Σ Mechanical Life15,000 Cycles
- Σ Electrical Life10,000 Cycles
- Σ Contact Resistance20mW max.
- Σ Insulation Resistance1,000MW min.
- Σ Dielectric Strength1,500V AC for 1 Minute
3,000V AC between poles



Panel Thickness (mm)	Length (mm)
0.7 ~ 1.25	19.0 + 0.2
1.26 ~ 2.0	19.3 + 0.2
2.1 ~ 3	19.6 + 0.2

Ordering Information:

R9 — 2 — — — — — —

<p>Function</p> <p>1=SPST 9=SPST w/Neon D=DPST Y=DPST w/Neon</p>	<p>Rating</p> <p>2=6A,250V AC</p>	<p>Housing Color</p> <p>K=Black W=White</p>	<p>Rocker Color</p> <p>K=Black W=White O=Orange R=Red Y=Yellow M=Green</p>	<p>Marking</p> <table border="0"> <tr> <td>A = </td> <td>F = </td> </tr> <tr> <td>B = </td> <td>G = </td> </tr> <tr> <td>C = </td> <td>H = </td> </tr> <tr> <td>D = </td> <td>I = </td> </tr> <tr> <td>E = </td> <td>L = </td> </tr> </table>	A =	F =	B =	G =	C =	H =	D =	I =	E =	L =	<p>Terminal Type</p> <p> T Type</p> <p> R Type</p>	<p>Lamp Voltage</p> <p>0=No Lamp 1=125V AC 2=250V AC 3=12V DC 4=24V DC 6=6V DC</p>
A =	F =															
B =	G =															
C =	H =															
D =	I =															
E =	L =															