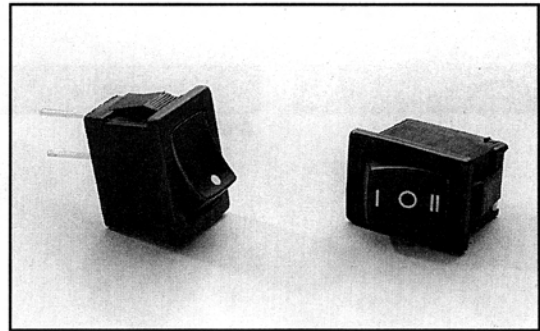


RA Miniature Rocker Switches

2 SWITCHES & KNOBS

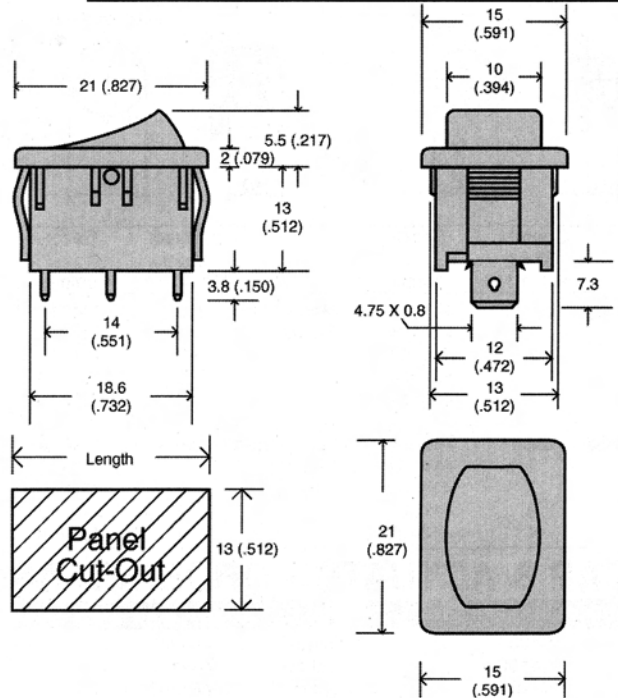


Features

- Snap-in mounting
- Choice of terminals
- approvals available
- Maintained or momentary

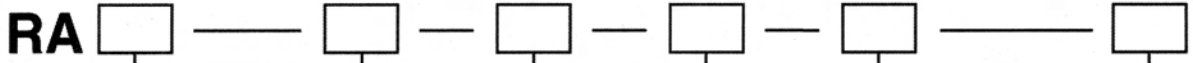
Specifications

- Rating6A 250V AC
- Mechanical Life.....15,000 Cycles
- Electrical Life10,000 Cycles
- Contact Resistance20mΩ max.
- Insulation Resistance1,000MΩ min.
- Dielectric Strength1,500V AC for 1 Minute
3,000V AC between poles



Panel Thickness (mm)	Length (mm)
0.7 ~ 1.25	19.0 + 0.2
1.26 ~ 2.0	19.3 + 0.2
2.1 ~ 3	19.6 + 0.2

Ordering Information:



Function

- 1=SPST;ON/OFF
- 2=SPDT;ON/ON
- 3=SPDT;ON/OFF/ON
- 4=SPDT;ON/(ON)
- 5=SPST;OFF/(ON)
- 6=SPDT;(ON)/OFF/(ON)
- 7=SPST;ON/(OFF)
- 8=SPDT;ON/OFF/(ON)

Rating

- 0=2A,250V AC
- 2=6A,250V AC
- 5=8A,250V AC
- 15A 125V AC

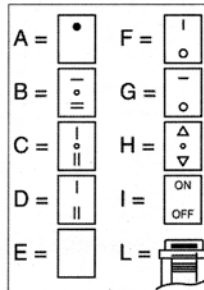
Housing Color

- K=Black
- W=White

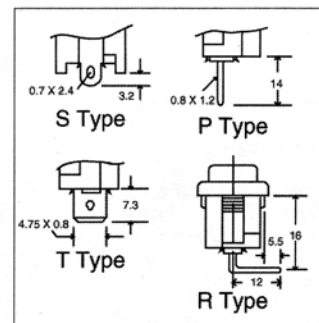
Rocker Color

- K=Black
- W=White
- O=Orange
- R=Red

Marking



Terminal Type



- Notes: 1. Function #3,6 & 8 are available with S Type Terminal only.
2. Rating available for functions 1 & 2 only.

