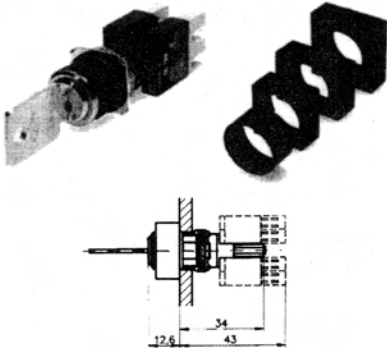
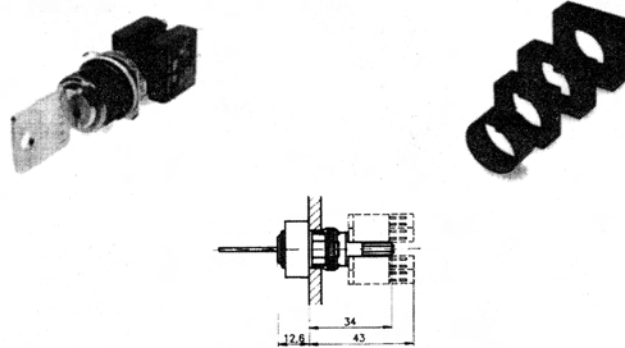


2 - Position / 3 - Position / Key Switches

**KABA MICRO & KABA MICRO-E
2 position with snap-on bezels**



KABA MICRO 3 position with snap-on bezels



		Key Removable in Position			
		1 (mom) Off	2 On	1 Off	1+2 On+Off
KABA MICRO	548132	548134	548136	548138	
KABA MICRO-E	548175		548176	548177	

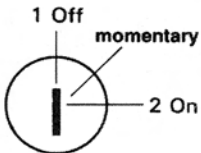
Black Bezel			
18 x 24	24 x 24 (engravable)	18 x 18	Ø 18
593060	593066	593062	593064

Once a bezel has been assembled it can no longer be removed.

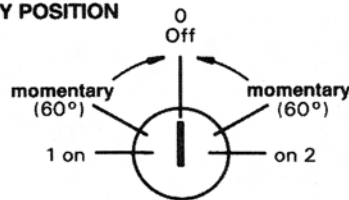
Function	Part Number	Function	Part Number	Function	Part Number
Cylinder Element					
	548150		548155		548160
	548151		548156		548161
	548152		548157		548162
	548153		548158		
	548154		548159		

* = Key in removable position

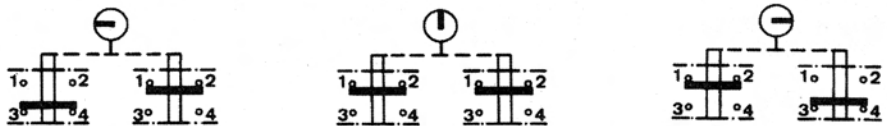
KEY POSITION



KEY POSITION



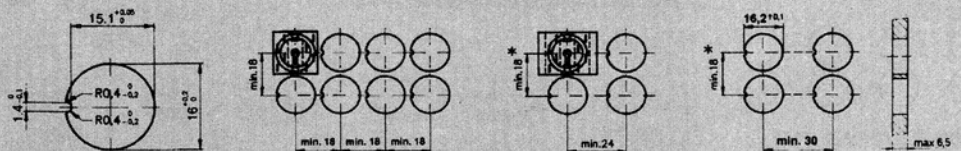
WIRING DIAGRAM



COMMON INFORMATION

ORDER CONTACT BLOCK SEPARATELY

PANEL CUT-OUTS FOR UP TO 2 SINGLE CONTACT BLOCKS (18X18 AND Ø18 STYLE ONLY).
PANEL CUT-OUTS FOR UP TO 1 SINGLE + 1 DOUBLE CONTACT BLOCK
PANEL CUT-OUTS FOR UP TO 2 DOUBLE CONTACT BLOCKS



* NB THIS DIMENSION WILL INCREASE TO 24MM IF 24X24 BEZEL STYLE IS USED.