

Pluggable Terminal Blocks **CVF Left Plug** **CVF Right Plug**

Specifications: CVF Series

- Features:**
- *CVF is **green** color with clamp in the *open* position
 - *Left and Right hand versions available
 - *Double captive screws
 - *Elevator clamp system
 - *2 to 12 positions single mold
 - *Housing is resistant to chlorinated solvents, with no dioxin or detrimental to health halogens
 - *Every position of this product is mechanically and electrically tested during assembly to ensure a 100% defect free product
 - *Minimum 5 microns of tin plating on terminal for easy solderin

Electrical

- Current: 12A @ 450V
 Wire range: 12 to 30 AWG
 Wire section(mm²): 0.05 to 2.5mm²
 CR: <15 mΩ
 IR: >10⁹ Ω (500V DC)
 Operating temp: -40°C to 110°C
 Stripping length: 6mm
 Torque: 3.5 lb-in
 PCB holes: N/A
 PCB thickness: N/A
 Climactic category: 40/110/21 Acc. to IEC 68-1
 Insertion force: max 3 N
 Disconnecting force: min 1.5 N

Materials

- Housing: Polyamide 6,6 (UL94V-0)
 Clamp: Copper alloy, Ni plated
 Spring/leaf contact: Phosphorus bronze, Tin plated
 Screw: M3, copper alloy, Ni plated
 Colors available: Green

Marking

Numbered marking strips 7.5 and 7.62mm centers.

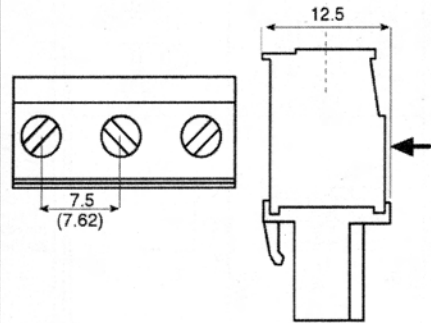
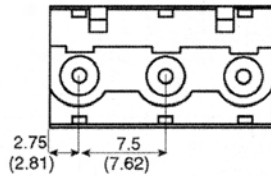
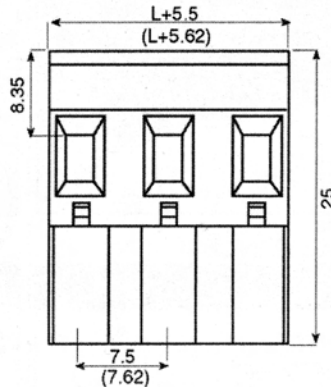
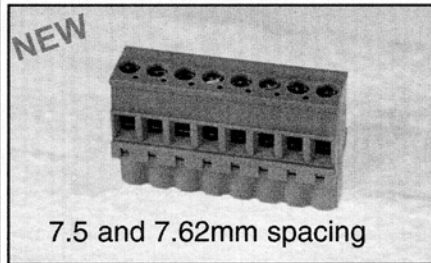
Numbered	Order Number
1-10	ESA34000110
11-20	ESA34001120
21-30	ESA34002130

Ink marking by factory (specify in order number):
 Factory ink is permanent and will not rub off. Ink has fluorescent tint for greater visibility.

- 0=no printing
- A=upside down printing (consecutive #'s R to L)
- B=regular printing (consecutive #'s L to R)

Custom markings are welcome with minimum order. Contact factory for information.

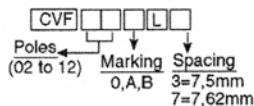
12A 450V 7.5 and 7.62mm



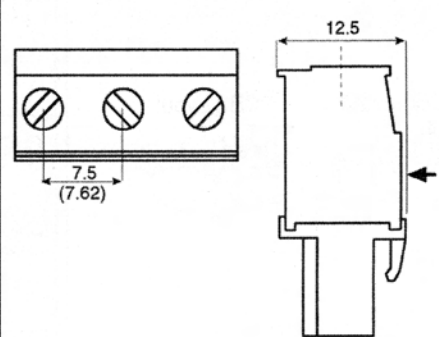
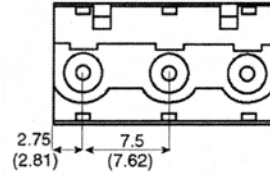
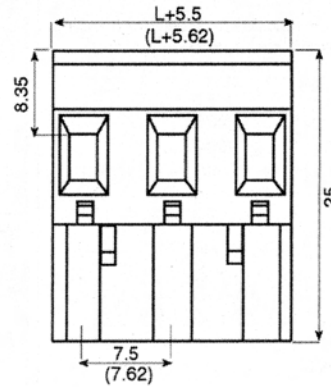
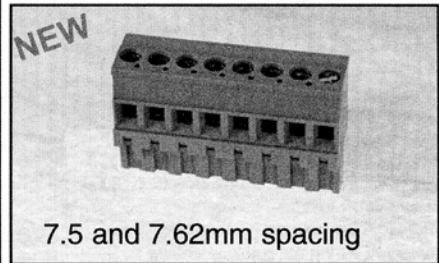
Dimensions

- n=number of poles
 L=(n-1) x 7.5 (for 7.5mm spacing)
 L=(n-1) x 7.62 (for 7.62mm spacing)

Ordering Information



12A 450V 7.5 and 7.62mm



Dimensions

- n=number of poles
 L=(n-1) x 7.5 (for 7.5mm spacing)
 L=(n-1) x 7.62 (for 7.62mm spacing)

Ordering Information

