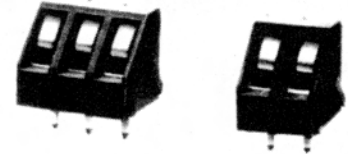


SPECIFICATIONS

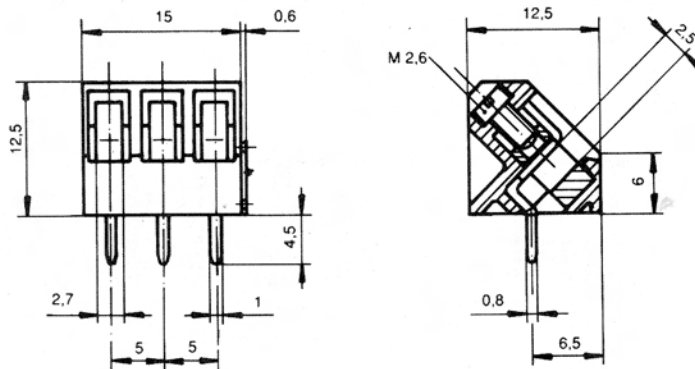
EB300 5MM - 45°

TERMINAL CENTERS	5MM
ELECTRICAL RATING	300 VOLTS, 15AMPS
INSULATOR MATERIAL	POLYAMIDE
COLOR	BLUE OR BLACK
WIRE RANGE	12-22 AWG
SCREW TYPE	M2.6 STEEL, ZINC PLATED
CAGE CLAMP HOUSING	STEEL, TIN PLATED
CONTACT MATERIAL	BRASS
CONTACT PLATING	BRIGHT ACID TIN
UL FILE#	E69812 (M)
CSA FILE#	LR49832



DIMENSIONS

EB300



LENGTH = N (5MM)

RECOMMENDED PCB HOLE SIZE 1.4MM (.055")

ORDERING INFORMATION

SERIES TYPE **EB300/XX**

NUMBER OF POLES ↑

MARKING *CONSECUTIVE NUMBERING, LEFT TO RIGHT, ADD -MK TO PART NUMBER.

*SPECIAL MARKINGS AVAILABLE UPON REQUEST.

COLOR *BLUE STANDARD, FOR BLACK ADD -BLK TO PART NUMBER