

BL/SL 3.50 mm Series

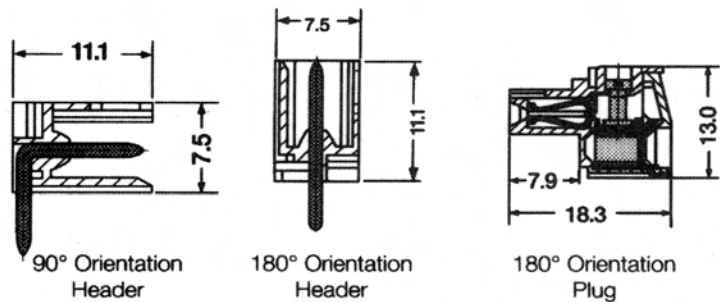
4
T
E
R
M
I
N
A
L
B
L
O
C
K
S

3.50/180° Plugs			3.50/180° Headers			3.50/90° Headers		
Poles	Locking Part No.	Non-Locking Part No.	Open End Non-Locking Part No.	Closed End Non-Locking Part No.	Closed End Locking Part No.	Open End Non-Locking Part No.	Closed End Non-Locking Part No.	Closed End Locking Part No.
2	161578	161567	161421	161424	161614	161413	161416	161553
3	161579	161568	161593	161602	161615	161530	161542	161554
4	161580	161569	161594	161603	161616	161531	161543	161555
5	161581	161409	161595	161604	161617	161532	161417	161556
6	161582	161018	161015	161605	161618	161533	161544	161557
7	161583	161019	161016	161606	161619	161534	161545	161558
8	161584	161570	161422	161425	161427	161414	161418	161420
9	161585	161571	161596	161607	161620	161535	161546	161559
10	161586	161020	161017	161608	161621	161536	161547	161560
11	161587	161572	161597	161609	161622	161537	161548	161561
12	161588	161573	161598	161610	161623	161538	161549	161562
13	161589	161574	161599	161611	161624	161539	161550	161563
14	161590	161575	161600	161612	161625	161540	161551	161564
15	161591	161576	161601	161613	161626	161541	161552	161565
16	161592	161577	161423	161426	161627	161415	161419	161566

Technical Data	UL*	CSA*
Pitch	3.50 mm	3.50 mm
Ratings	300 V/10 A	300 V/10 A
Wire Size	22...14 AWG	28...14 AWG
Strip Length mm (in.)	7 (.24)	7 (.24)
Torque Nm (lb. in.)	.25 (2.25)	.25 (2.25)
Pin Length	4.5 mm (Standard)**	
Molding Material	PBT (Polyester)	
Connection	Screw Clamp	

*Standard UL 1059 • Standard CSA C22.2 No. 158

** Other lengths available upon request



- All BL/SL 3.50 mm Series plugs and headers are available to 24 poles.
- Plugs and headers are supplied with black moldings. Alternate colors are available upon request.
- This is a partial listing of the BL/SL 3.50 mm family of products.

