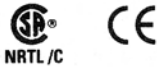



KLD Series PCB Mount DC Power Jack 2.0mm and 2.5mm

Features

- Built in DC On/Off Switch
- Screw Machine Contact Center Pin for High Current Capability
- Laptop and Palm Computers, Portable Modems, Radar Detectors, and Other Portable Device Applications



Materials and Finish

Plastic Housing: PBT UL 94V-0 Rated 
Center Pin: Brass, Tin Plated
Pin 1: Phosphor Bronze, Tin Plated
Pin 2 and 3: Brass, Tin Plated

Electrical Characteristics

Contact Resistance
Before Durability Test
 Between Terminals: 30 Milliohms Max.
 Plug to Contacts: 50 Milliohms Max.
After Durability Test
 Between Terminals: 60 Milliohms Max.
 Plug to Contacts: 100 Milliohms Max.
Rated Voltage: DC 24V
Rated Current: 3.5 Amps
Insulation Resistance: 50 Megohms Min.

Mechanical Characteristics

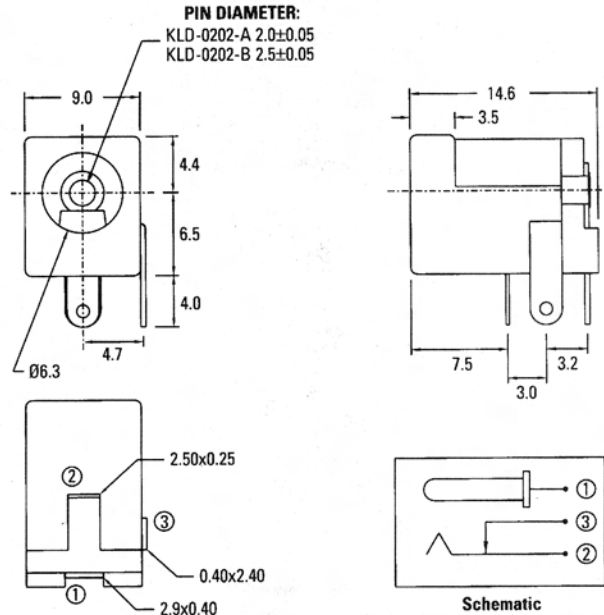
Durability Test: 5000 Cycles
Insertion Force: 0.3kg - 2.0kg
Extraction Force: 0.3kg - 2.0kg
Operating Temperature: -25°C to +70°C

Ordering Information

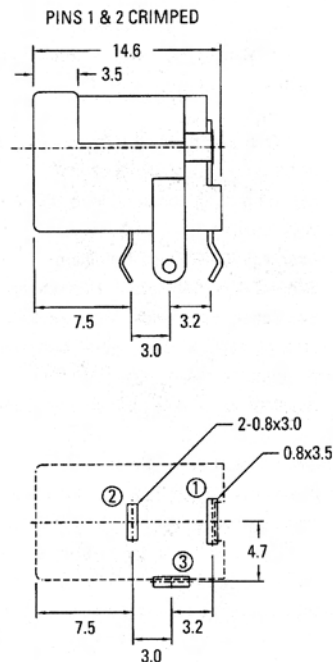
Part Number*	Inner Pin Diameter	Lead Style
KLD-0202-A	2.0mm±0.05	Straight
KLD-0202-AC	2.0mm±0.05	Crimped
KLD-0202-B	2.5mm±0.05	Straight
KLD-0202-BC	2.5mm±0.05	Crimped

KLD Series Dimensions

KLD-0202-A, KLD-0202-B



KLD-0202-AC, KLD-0202-BC



Dimensions in mm

*Also available - KLD-HT Reflow Compatible
 Contact factory for specifications. 888-KYCON-22