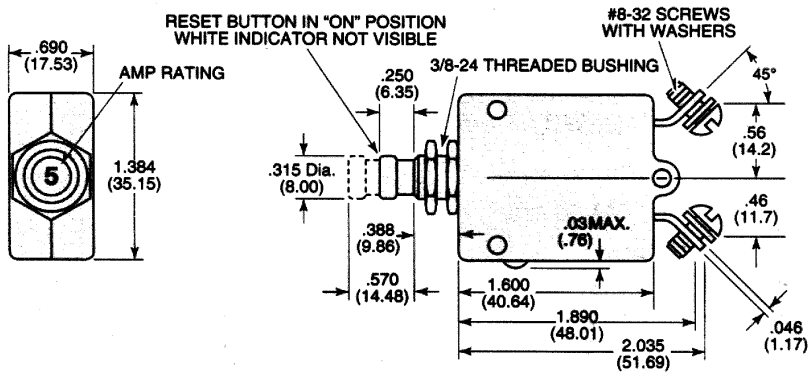
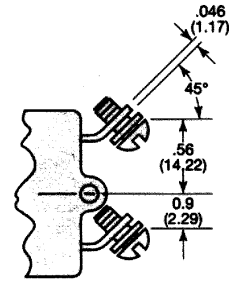


W23 OUTLINE DIMENSIONS



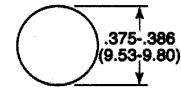
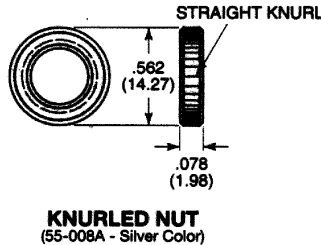
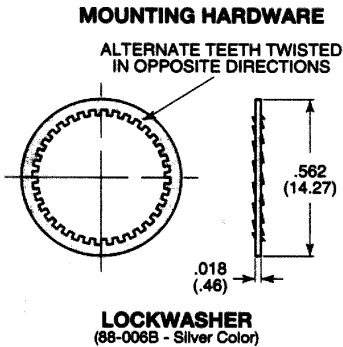
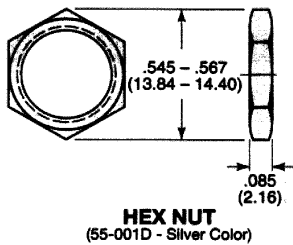
TERMINAL STYLE 1



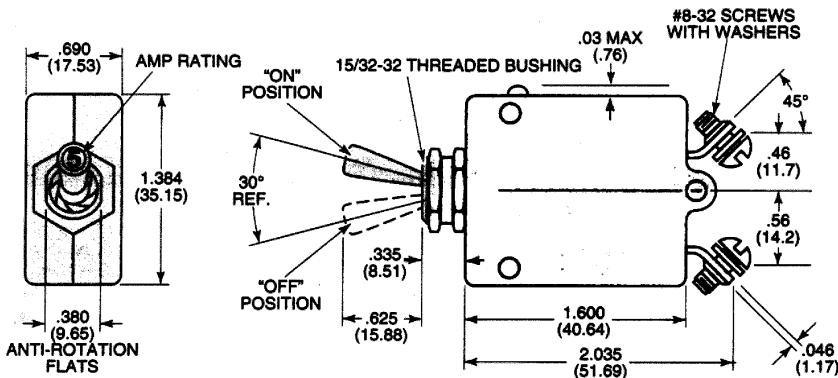
TERMINAL STYLE 3

SUGGESTED MOUNTING HOLES

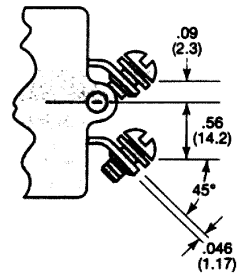
All dimensions are given as inches (mm)



W31 OUTLINE DIMENSIONS



TERMINAL STYLE 1



TERMINAL STYLE 5

SUGGESTED MOUNTING HOLES

