

# 6

# CIRCUIT BREAKERS & FUSES

### ORDERING INFORMATION

Typical Part No. >

**W 58 -X B 1 A 4 A -5**

**1. DESIGNATOR:**

W = Circuit breaker

**2. SERIES NUMBER:**

58 = Single Pole, Push-to-Reset

**3. CIRCUIT FUNCTION:**

X = Series Trip

**4. BUTTON:**

A = White, plain, no rate marking, no trip band E = White with red rate marking no trip band  
 B = White with red rate marking, red trip band F = White with black rate marking, no trip band  
 C = White with black rate marking, red trip band

**5. MOUNTING BUSHING:**

1 = 7/16" x .500" (12.70 mm) long  
 4 = 15/32" x .300" (7.62 mm) long, black  
 6 = 3/8" x .465" (11.81 mm) long, round

**6. TERMINALS:**

A = Quick connect .250" (6.35 mm) straight  
 B = Quick connect .250" (6.35 mm) 90°  
 C = 6/32 screw 90° (screws installed)  
 D = 6/32 screw 90° (screws bulk packed)

**7. MOUNTING HARDWARE:**

4 = Knurled nut/hex nut                      15 = Two hex nuts/lock washer  
 6 = Knurled nut/hex nut/lock washer      99 = No mtg. hardware supplied (Use C, Step #8)  
 12 = Knurled nut/lock washer

**8. MOUNTING HARDWARE PACKAGING:**

A = Assembled to bushing  
 B = Bulk unassembled  
 C = No mounting hardware

**9. SPECIFY AMP RATING:**

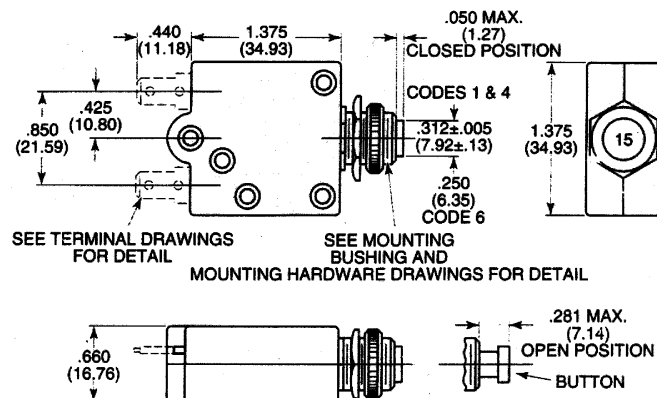
0.5	1.5	3	5	8	12	25
0.75	2	3.5	6	9	15	30*
1	2.5	4	7	10	20	35*

\*Not UL or CSA

**STOCK ITEMS - The following items are normally maintained in stock for immediate delivery.**

W58-XB1A4A-1	W58-XB1A4A-6	W58-XB1A4A-15	W58-XC4C12A-1	W58-XC4C12A-10	W58-XC4C12A-35
W58-XB1A4A-2	W58-XB1A4A-7	W58-XB1A4A-20	W58-XC4C12A-2	W58-XC4C12A-15	
W58-XB1A4A-3	W58-XB1A4A-8	W58-XB1A4A-25	W58-XC4C12A-3	W58-XC4C12A-20	
W58-XB1A4A-4	W58-XB1A4A-10	W58-XB1A4A-30	W58-XC4C12A-5	W58-XC4C12A-25	
W58-XB1A4A-5	W58-XB1A4A-12	W58-XB1A4A-35	W58-XC4C12A-7	W58-XC4C12A-30	

### OUTLINE DIMENSIONS



### TERMINAL OPTIONS

