

3 Phase Solid State Relays

GA3 Series: 3 Phase SSR

GA0 Series: 3 Phase Reversing SSR

The GA3 and GA0 Series feature industry standard packaging, output over voltage protection, and a 4 to 32VDC current regulated input. Enclosure measures 25 x 74 x 104mm. The GA0 Series are random turn-on. All series have 4 kv optical isolation and are UL and CSA approved, TUV Certified.

PART NUMBER	Control Voltage	Maximum Output Current (A)	Output Voltage
GA3-12D10R	4 - 32VDC	10	24 - 660VAC
GA3-12D10Z	4 - 32VDC	10	24 - 660VAC
GA3-12D25R	4 - 32VDC	25	24 - 660VAC
GA3-12D25Z	4 - 32VDC	25	24 - 660VAC
GA3-12D45R	4 - 32VDC	45	24 - 660VAC
GA3-12D45Z	4 - 32VDC	45	24 - 660VAC
GA3-12A25R	90 - 280VDC	25	24 - 660VAC
GA3-12A25Z	90 - 280VDC	25	24 - 660VAC
GA3-12A45R	90 - 280VDC	45	24 - 660VAC
GA3-12A45Z	90 - 280VDC	45	24 - 660VAC
GA0-12D25	3 - 32VDC	25	24 - 660VAC

(“R” Suffix denotes Random Turn-On, “Z” Suffix denotes Zero Crossing)



Panel Mount DC Output Solid State Relays

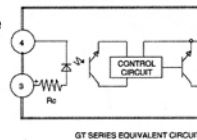
GF Models Utilize FET Output

- Low leakage of 10µA
- Milliohm On-State Resistance
- 1500 VAC Optical Isolation
- Long Life Switching of DC Loads to 30A

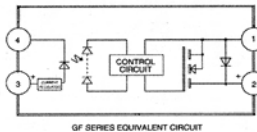
GT Models Utilize Transistor Output

- Cost Effective General Purpose DC SSR
- Long Life Switching DC Loads to 10A
- 4KV Optical Isolation
- Fast 25µSec Maximum Turn-on Time

MODEL	MAX. OUTPUT VOLTAGE RATING (VAC)	OUTPUT CURRENT RATING	CONTROL VOLTAGE
GF50D30	1-50	30A	3-32VDC
GF100D15	1-100	15A	3-32VDC
GF200D10	1-200	10A	3-32VDC
GT60D10	3-60	10A	3-32VDC



GT and GF Series



Printed Circuit Board Mountable AC Output Solid State Relays

GA1, GA8, Series SSR

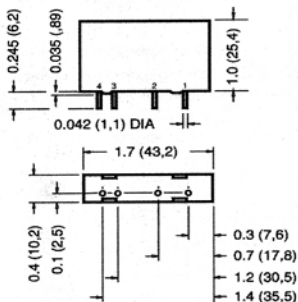
- Industry Standard Packaging, SIP or Flat Pack
- 4KV Optical Isolation
- 100A Surge Capability
- UL recognized, CSA Certified
- VDE Approval on Some Models
- DEMKO EN60950 Certified

MODEL	MAX. OUTPUT VOLTAGE RATING (VAC)	OUTPUT CURRENT RATING @ 25°C TA	CONTROL VOLTAGE
GA1-6B02	280	4A	3-24VDC
GA8-6B02	280	4A	3-24VDC
GA8-6D05	280	5A	3-24VDC
GA8-6D05R	280	5A	3-24VDC

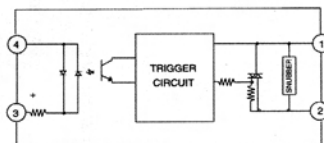
GA8 Series



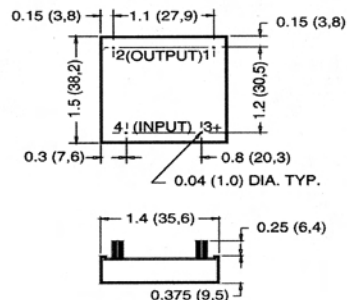
G1 and GA8 Series



DIMENSIONS: INCHES (MILLIMETERS)
TOLERANCE: ±0.020 (±0.50)



GA1 & GA8 SERIES DC INPUT EQUIVALENT CIRCUIT



DIMENSIONS: INCHES (MILLIMETERS)
TOLERANCE: ±0.020 (±0.50)