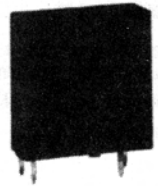


G5P

Power PCB Relay

Features

- Enables dense packaging, requiring 30% less space than G2R
- Withstands surges of 10,000 V for 1 minute
- TV-5 and TV-8 available
- Semi-sealed construction



Contact Data

Contact ratings

Standard: 5 A, 250 VAC, 30 VDC (Resistive); 1/6 HP, 120 VAC; 1/2 HP, 240 VAC; 5 A, 120 VAC; 600 W, 120 VAC (Tungsten); TV-5
High-capacity: 10 A, 250 VAC, 30 VDC (Resistive); 960 W, 120 VAC (Tungsten); TV-8

Contact material AgInSn

Maximum operating voltage 250 VAC, 30 VDC

Maximum operating current 5 A

Maximum switching capacity 1,250 VA, 150 W; 2,500 VA, 300 W (High-capacity)

Minimum permissible load 100 mA at 5 VDC

Coil Data (% of rated voltage)

Pickup voltage 75% max.

Dropout voltage 10% min.

Maximum voltage 110% at 70°C

Characteristic Data

Initial contact resistance 30mΩ max.

Operate time 15ms max. (mean value: approx. 6.2ms)

Release time 5ms max. (mean value: approx. 1.8ms)

Insulation resistance 1,000MΩ min. (at 500 VDC)

Dielectric strength

Between coil and contacts: 4,000 VAC, 50/60 Hz for 1 minute
Between contacts of same pole: 1,000 VAC, 50/60 Hz for 1 minute

Ambient temperature -40° to 70°C

Service life

Mechanical: 2,000,000 operations min.

Electrical: 100,000 operations min. at 5 A, 250 VAC, 30 VDC (Resistive); 100,000 operations min. at 10 A, 250 VAC, 30 VDC (High-capacity)

Construction Data

Termination PCB terminals

Construction Semi-sealed

Weight .39 oz. (11 g)

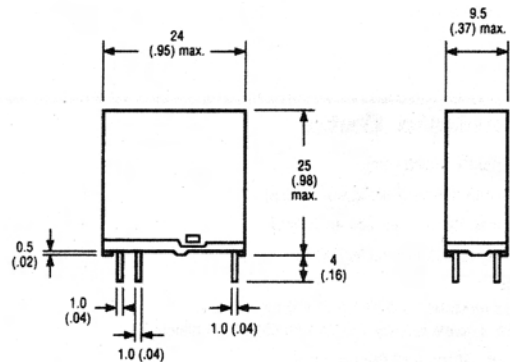
Packaging method Trays

Ordering Information

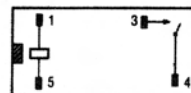
| Part number | Rated voltage (V) | Coil res. (Ohms) | Power (mW) | Contact rating | Type |
|--------------|-------------------|------------------|------------|----------------|------------------------|
| G5P-1 -DC6 | 6 DC | 67 | 530 | 5 A | Standard |
| -DC12 | 12 DC | 271 | 530 | 5 A | SPST-NO |
| -DC24 | 24 DC | 1,086 | 530 | 5 A | Semi-Sealed |
| G5PE-1 -DC12 | 12 DC | 183 | 800 | 10 A | High-Capacity |
| -DC24 | 24 DC | 721 | 800 | 10 A | SPST-NO Semi-Sealed |

Note: 1. Other coil voltages available.
 2. High-sensitivity coil (350mW) available.

Dimensions [Unit: mm (inch)]



Terminal arrangement/ Internal connections (bottom view)



Mounting holes (bottom view)

