

G8P

Power PCB Relay

7

Features

- Compact relay – ideal for home and industrial appliances, HVAC, and many other applications
- Capable of switching up to 30 A load
- A variety of contact forms: SPDT and SPST-NO
- Class B and F insulation, sealed versions, and dust cover available



Contact Data

Contact ratings

SPST-NO: 30 A, 250 VAC (Resistive); 20 A, 28 VDC (Resistive); 15 A, 125 VAC (Inductive); 10 A, 250 VAC (Inductive); 5 A, 250 VAC Tungsten; 1 HP, 125 VAC; 2 HP, 250 VAC; 12 A, 277 VAC (Inductive)
SPDT: 20 A/10 A*, 250 VAC, 28 VDC (Resistive); 10 A/10 A*, 250 VAC (Inductive); 1 HP/1/4 HP*, 125 VAC; 2 HP/1/2 HP*, 250 VAC; 12 A/6 A*, 277 VAC (Inductive); 15 A/10 A*, 125 VAC (Inductive); 5 A/3 A*, 250 VAC Tungsten

Maximum operating voltage 250 VAC, 28 VDC

Maximum operating current

SPST-NO: 30 A (AC), 20 A (DC)
SPDT: 20 A/10 A (AC), 20 A/10 A (DC)

Maximum switching capacity

SPST-NO: 7,500 VA, 560 W
SPDT: 5,000/2,500 VA, 560/280 W

Minimum permissible load 500 mA at 5 VDC

Note: 1. * NO contact/NC contact

Coil Data (% of rated voltage)

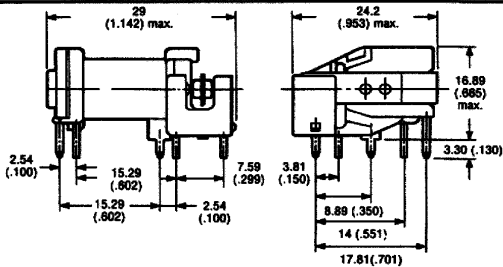
Pickup voltage 75% max.
Dropout voltage 10% min.
Maximum voltage 120% max.

Characteristic Data

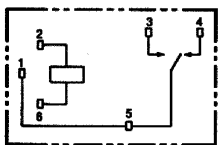
Initial contact resistance 20mΩ max.
Insulation resistance 10MΩ min. (at 500 VDC)
Dielectric strength 1,500 VAC, 50/60 Hz for 1 minute
Service life
Mechanical: 10,000,000 operations min.
Electrical: 100,000 operations min. at 20 A;
 30,000 operations min. at 30 A

Dimensions [Unit: mm (inch)]

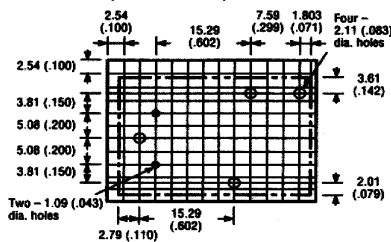
SPDT (Open frame)



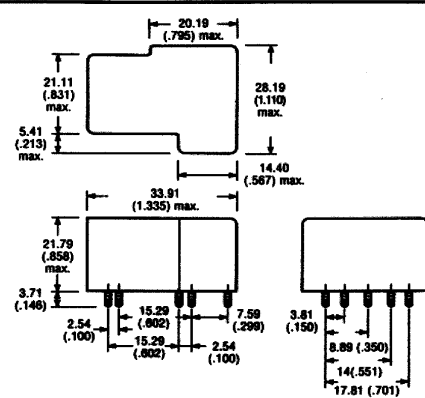
Terminal arrangement/ Internal connections (bottom view)



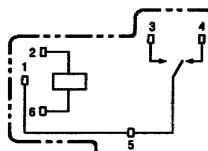
Mounting holes (bottom view)



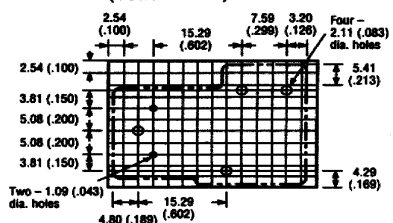
SPDT (Sealed)



Terminal arrangement/ Internal connections (bottom view)



Mounting holes (bottom view)



Note: 1. For SPST-NO version, remove terminal no. 4.

RELAYS