

**ORDERING INFORMATION**

Typical Part Number >

**T9A S 5 D 2 2 -12**

- 1. BASIC SERIES:**  
T9A = Low cost, printed circuit board/panel power relay.
- 2. ENCLOSURE:**  
P = Unsealed, plastic dust cover.  
S = Immersion cleanable, knock off nib, sealed plastic case.
- 3. CONTACT ARRANGEMENT:**  
1 = 1 Form A (SPST-NO).      5 = 1 Form C (SPDT).
- 4. COIL INPUT:**  
D = DC Voltage
- 5. MOUNTING & TERMINATION:**  
1 = Printed circuit board mounting; PC terminals for coil & contacts <sup>(a)</sup>.  
2 = Printed circuit board mounting; PC terminals for coil & contacts, and .250" (6.35 mm) quick connects for contacts <sup>(a)</sup>.  
5 = Flanged mounting; .187" (4.75 mm) quick connects for coil and .250" (6.35 mm) quick connects for contacts <sup>(a)</sup>.
- 6. CONTACT MATERIAL:**  
2 = Silver-cadmium oxide.
- 7. COIL VOLTAGE:**  
5 = 5VDC    6 = 6VDC    9 = 9VDC    12 = 12VDC    15 = 15VDC    18 = 18VDC    22 = 22VDC    24 = 24VDC    48 = 48VDC    110 = 110VDC

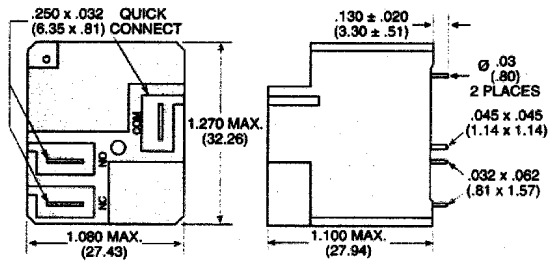
a) Only available with enclosure code "S".  
b) Only available with enclosure code "P".

**STOCK ITEMS** - The following items are normally maintained in stock for immediate delivery

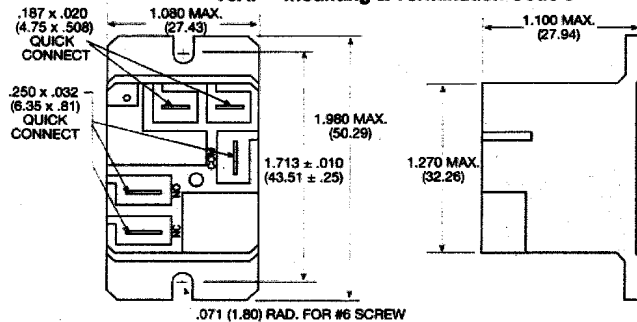
T9AP5D52-12	T9AS1D12-12	T9AS1D12-22	T9AS1D22-12	T9AS5D12-12	T9AS5D12-22	T9AS5D12-48	T9AS5D22-24
T9AP5D52-24	T9AS1D12-18	T9AS1D12-24	T9AS1D22-24	T9AS5D12-18	T9AS5D12-24	T9AS5D22-12	

**OUTLINE DIMENSIONS**

**T9AS - Mounting & Termination Code 2**

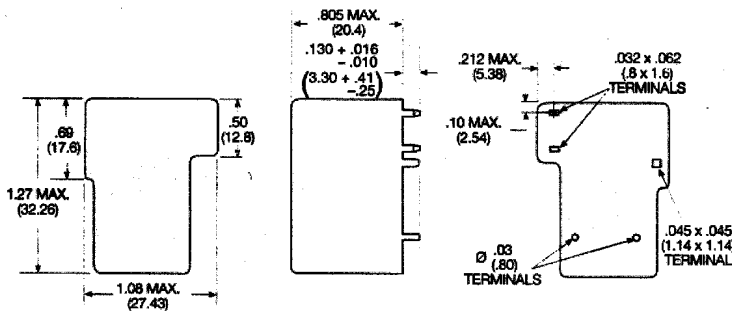


**T9AP - Mounting & Termination Code 5**

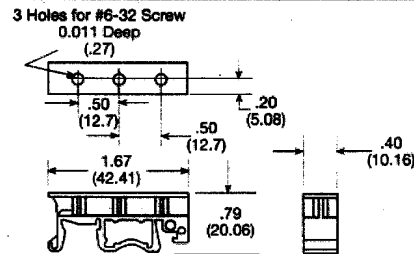


NOTE: Recommended mounting screw torque is 4.0-5.0 lbs.in when #6 screw is used.

**T9AS - Mounting & Termination Code 1**



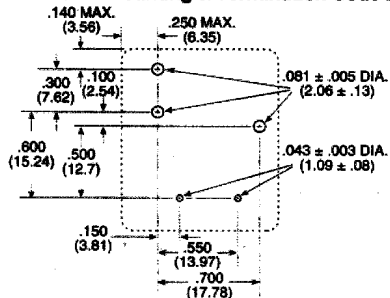
**DIN MOUNT ADAPTER - 9T91A001**



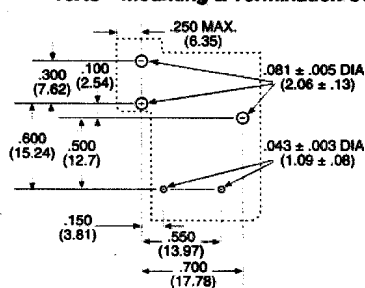
Note: Fits 35mm din track  
Includes: 2 Din clips  
2 Screws  
Must be ordered in multiples of 50

**PC BOARD LAYOUT (Bottom Views)**

**T9AP/S - Mounting & Termination Code 2**



**T9AS - Mounting & Termination Code 1**



**WIRING DIAGRAM (Bottom View)**

