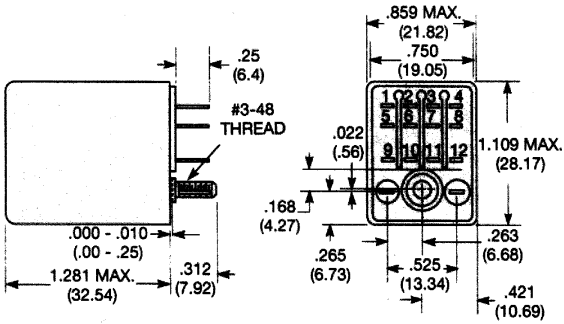


OUTLINE DIMENSIONS

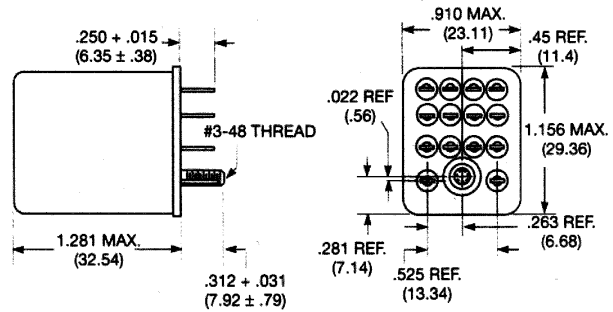
MOUNTING CODE 1 KHAU



2 & 4 POLE

PC terminal models have rivet, not stud.
Max. seated height in 27E006 socket is 1.37" (34.8 mm).

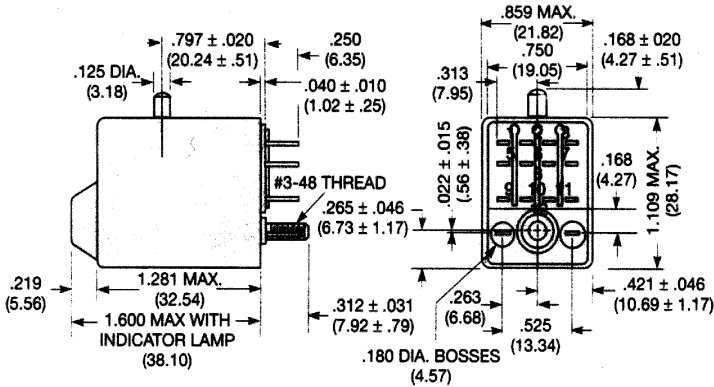
MOUNTING CODE 1 KHS only.



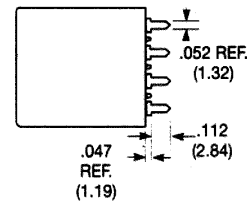
2 & 4 POLE

Class 1 Div. 2 Group A, B, C & D Hazards

MOUNTING CODE 1 NEON INDICATOR, PUSH-TO-TEST.

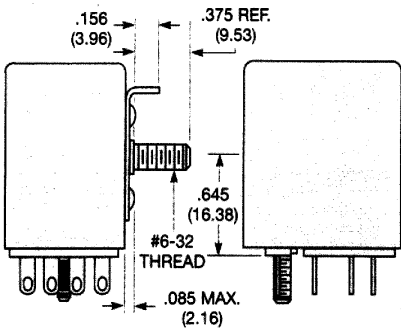


PRINTED CIRCUIT TERMINALS

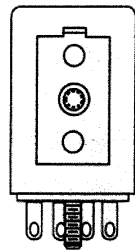


Printed circuit terminal thickness .022 (.558)

MOUNTING CODE 2 STUD ON BROAD SIDE

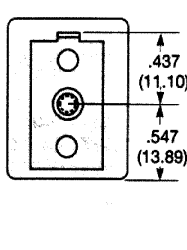


MOUNTING CODE 3



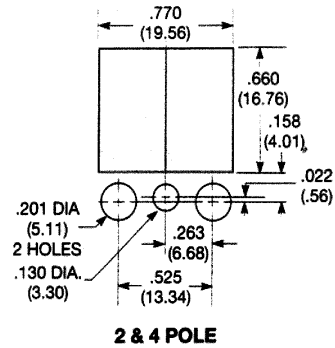
STUD ON NARROW SIDE

MOUNTING CODE 4



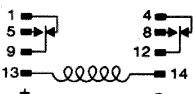
STUD ON END

RECOMMENDED CHASSIS CUTOUT FOR STUD MOUNT

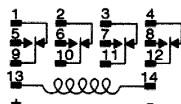


WIRING DIAGRAMS (Bottom Views)

2 POLE



4 POLE



PC BOARD LAYOUT (Bottom View)

For KHAE, KHAF Relays with PC terminals and sockets with PC terminals

