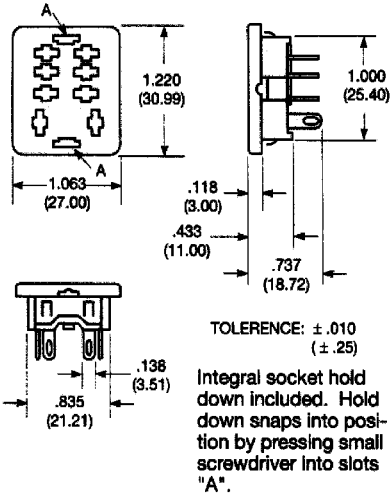


SOCKETS AND ACCESSORIES FOR K10 RELAYS

Sockets for K10 series relays are rated 10 amps, and are UL recognized, File E59244, and CSA certified, File LR15734.

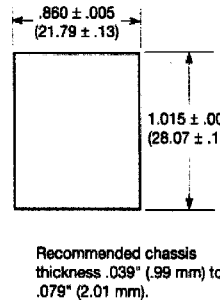
**27E488
PIERCED SOLDER TERMINALS**



**20C217
HOLD DOWN
SPRING FOR
27E488 & 27E489**

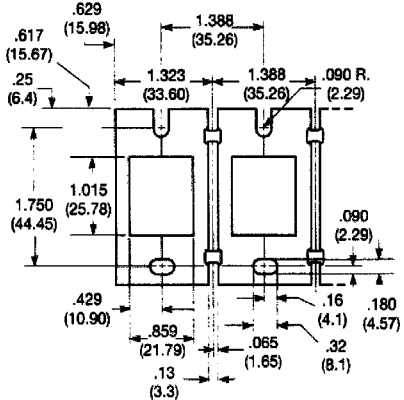


**CHASSIS CUTOUT FOR
MOUNTING 27E488 SOCKET**



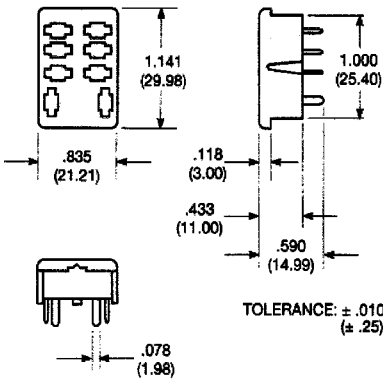
Socket punch
Greenlee part
5015115.0, Type 731R
available from
Greenlee Tool Co.,
Rockford, Illinois.

**37D633
MOUNTING STRIP**

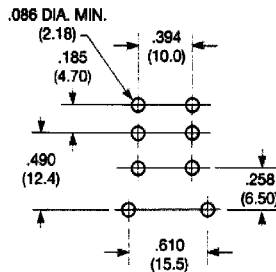


37D633 will mount eight 27E488 sockets in one length of aluminum strip measuring 10.97" x 2.25" x .062". (278.64 x 57.15 x 1.57)

**27E489
PRINTED CIRCUIT TERMINALS**



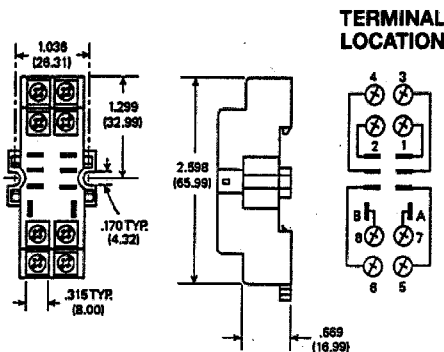
P.C. BOARD LAYOUT FOR SOCKET



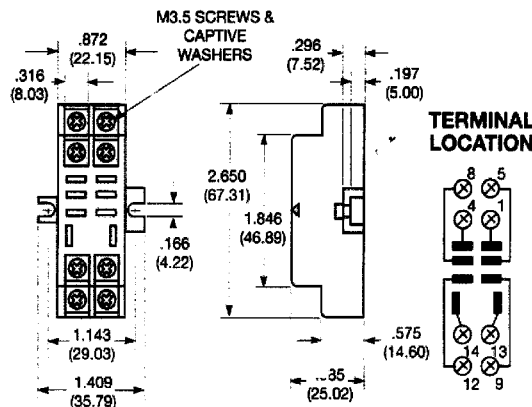
Note: P.C. terminal socket will also fit P.C. board layout for relay. However, in order to accomplish this, terminals must be formed accordingly.

CAUTION: Printed circuit sockets are manufactured with "floating" (loose) terminals. This permits them to align with holes in the circuit board and with the relay terminals. During the mounting and soldering of the socket, vertical float should be eliminated and the terminals seated on the board. (This may be accomplished by inserting a dummy relay in the socket.) Failure to eliminate float may cause fracture of the solder joint or separation of the copper conductor from the printed circuit board when a relay is inserted in the socket after soldering.

**27E895
SCREW TERMINALS, DIN RAIL SNAP-MOUNT
(Use with mounting track 24A110)**



**27E487
SCREW TERMINALS**



**20C297
HOLD DOWN SPRING
FOR 27E895 & 27E487**

