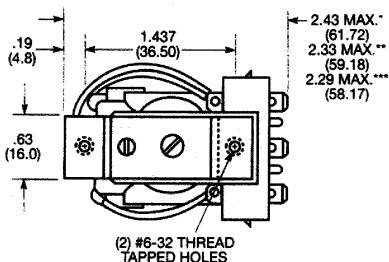
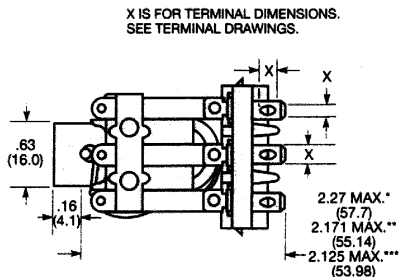


OUTLINE DIMENSIONS

OPEN RELAYS



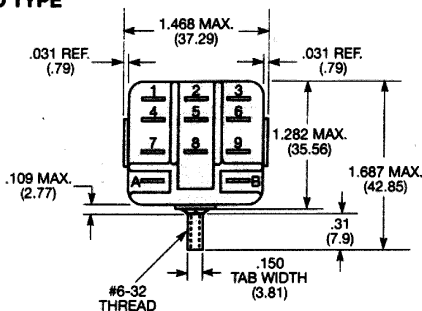
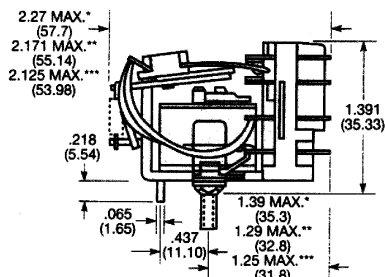
BRACKET TYPE



SEATED HEIGHTS FOR OPEN RELAYS

- 1.391" (35.33 mm) for #6-32 stud with .218" (5.54 mm) locating tab.
- 1.52" (38.6 mm) for bracket with 2 #6 32 tapped holes.
- 1.282" (32.56 mm) for #6-32 tapped core with .125" (3.18 mm) or .218" (5.54 mm) locating tab.
- 2.046" (51.97 mm) for relay with printed circuit terminals.

STUD TYPE

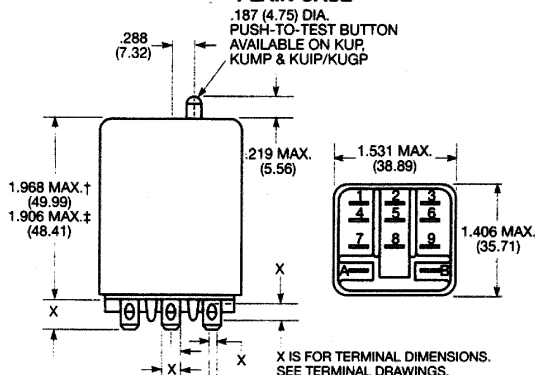


STUD TYPE also available with .125" (3.18 mm) tab, as well as without stud and locating tab. Models without stud have core tapped #6-32 THREAD, .25" (6.4 mm) minimum depth.

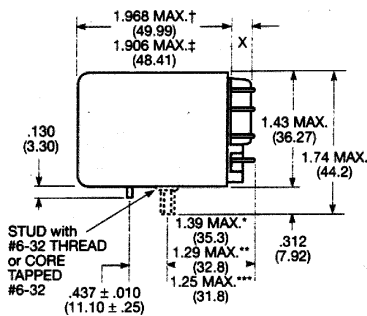
- *Dimensions with .250" (6.35 mm) terminals.
- **Dimensions with .110" (2.79 mm) or .205" (5.21 mm) terminals.
- ***Dimensions with .187" (4.75 mm) terminals.

ENCLOSED RELAYS

PLAIN CASE

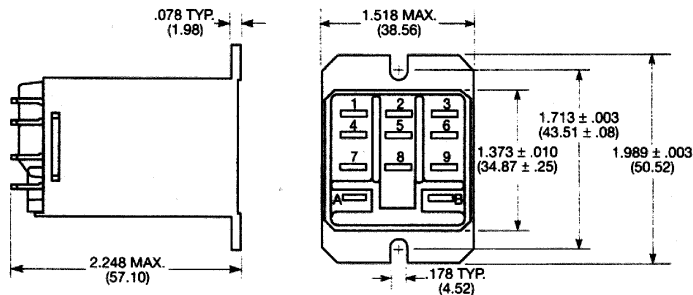


CORE AND STUD MOUNT CASES

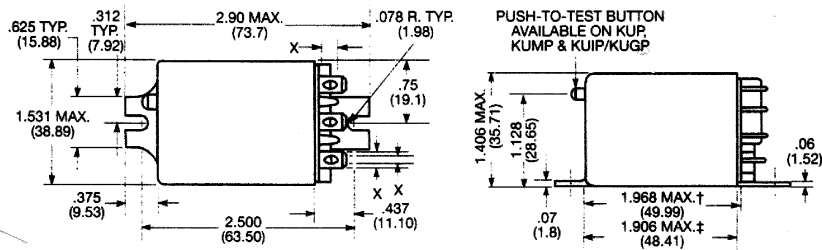


- †Dimensions with .250" (6.35 mm) terminals.
- ‡Dimensions with .110" (2.79 mm), .187" (4.75 mm and .205" 5.21 mm) terminals.
- *Dimensions with .250" (6.35 mm) terminals.
- **Dimensions with .110" (2.79 mm) or .205" (5.21 mm) terminals
- ***Dimensions with .187" (4.75 mm) terminals.

TOP FLANGE CASE



BRACKET MOUNT CASE



STUD ON END CASE

