

7 RELAYS

ORDERING INFORMATION

Typical Part No. >	S86R	5	A	1	B	1	D	1	-120
--------------------	-------------	----------	----------	----------	----------	----------	----------	----------	-------------

1. BASIC SERIES:
 S86R = Standard relay with AC or DC coil, 20 Amp contacts.
 S86S = Sensitive relay with DC coil, 10 Amp contacts.
 S87R = Standard relay with AC or DC coil, 20 Amp contacts.

2. CONTACT ARRANGEMENT:
 1 = SPST-NO 5 = SPDT 8 = DPST-NC
 2 = SPST-NC 7 = DPST-NO 11 = DPDT

3. COIL INPUT:
 A = AC (available on S86R and S87R)
 D = DC

4. MOUNTING STYLE:
 S86: S87: (See outline dimensions)
 1 = Style 1 1 = Style 1
 2 = Style 2

5. COIL TERMINAL STYLE:
 A = .187" (4.75 mm) Quick-connect/solder.
 B = .250" (6.35 mm) Quick-connect/solder.

6. COIL TERMINAL LOCATION (S86): **COIL TERMINAL LOCATION (S87):**
 1 = Same side as switch terminals. 1 = Located perpendicular to switch terminals.
 2 = Opposite side from switch terminals. 2 = In line with switch terminals (not UL). Not available on mounting style 2.

7. SWITCH TERMINAL STYLE:
 C = .187" (4.75 mm) Quick-connect/solder. (limited to 15A rating)
 D = .250" (6.35 mm) Quick-connect/solder.

8. SWITCH TERMINAL CONFIGURATION:
 1 = Style 1

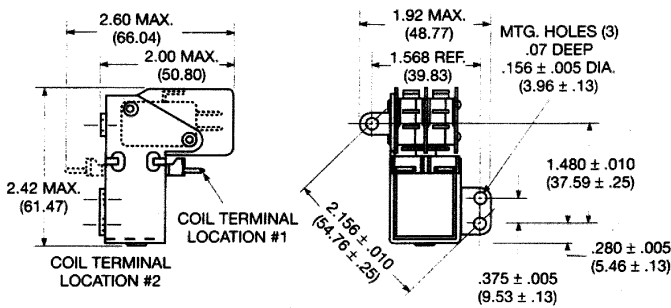
9. COIL VOLTAGE:
 AC coils to 277VAC, 50/60 Hz.
 DC coils to 125VDC.

STOCK ITEMS – The following items are normally maintained in stock for immediate delivery.

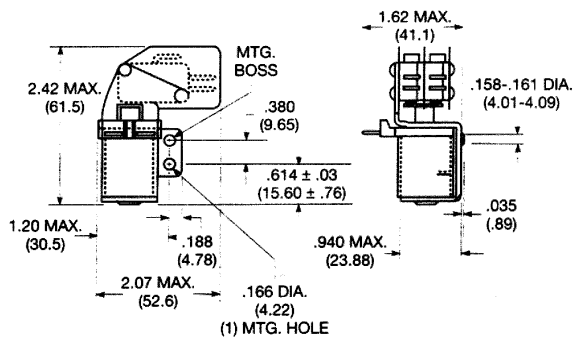
S86R5A1B1D1-120	S87R5A2B1D1-24	S87R5D2B1D1-24	S87R11D2B1D1-24
S86R11A1B1D1120	S87R5A2B1D1-120	S87R11A2B1D1-24	
	S87R5A2B1D1-240	S87R11A2B1D1120	
	S87R5D2B1D1-12	S87R11A2B1D1240	

OUTLINE DIMENSIONS

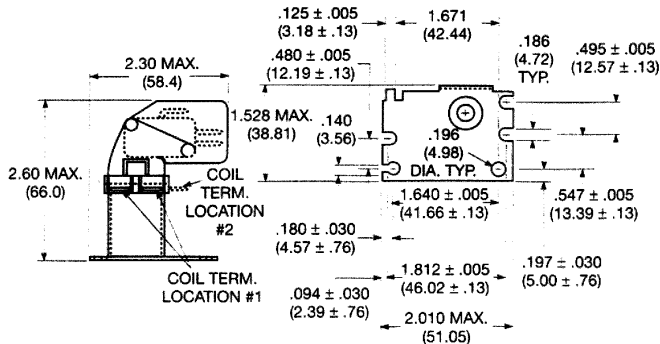
S86R AND S86S (2 pole shown) STYLE 1



S87R (2 pole shown) STYLE 2

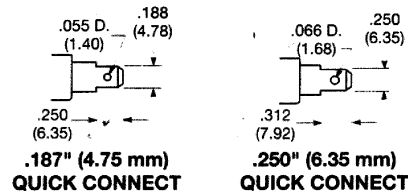


S87R STYLE 1



SWITCH TERMINAL STYLE

C = .187" (4.75 mm) Quick-connect
 D = .250" (6.35 mm) Quick-connect



SWITCH TERMINAL CONFIGURATION

