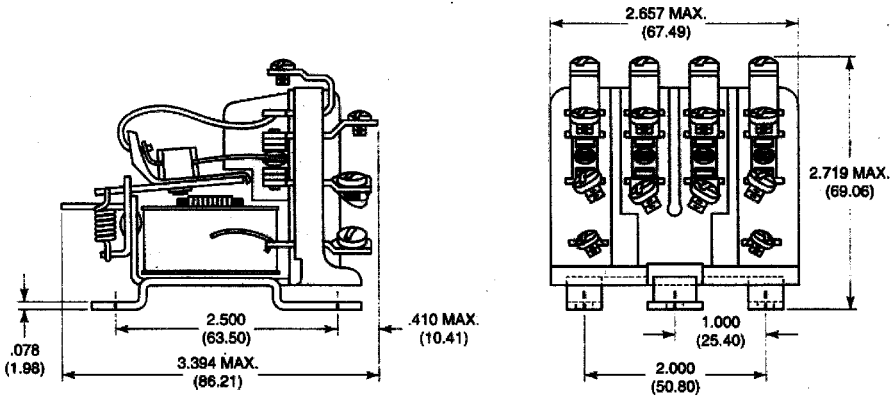
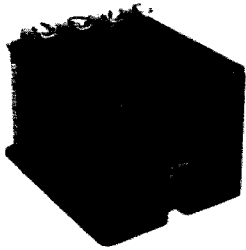


OUTLINE DIMENSIONS

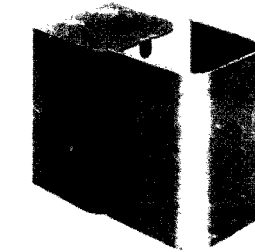
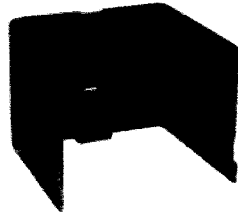
**7
RELAYS**



Tolerance: ± .010 (± .25)



PM PLASTIC DUST COVER 35D203



PM METAL COVER 35D227

Overall Dimensions in Inches (mm)

Part No.	Length	Width	Height
35D203	3.394* (86.21)	2.657* (67.49)	2.719* (69.06)
35D227	5.313 (134.95)	3.813 (96.85)	3.813 (96.85)

*When Mounted On Relay

