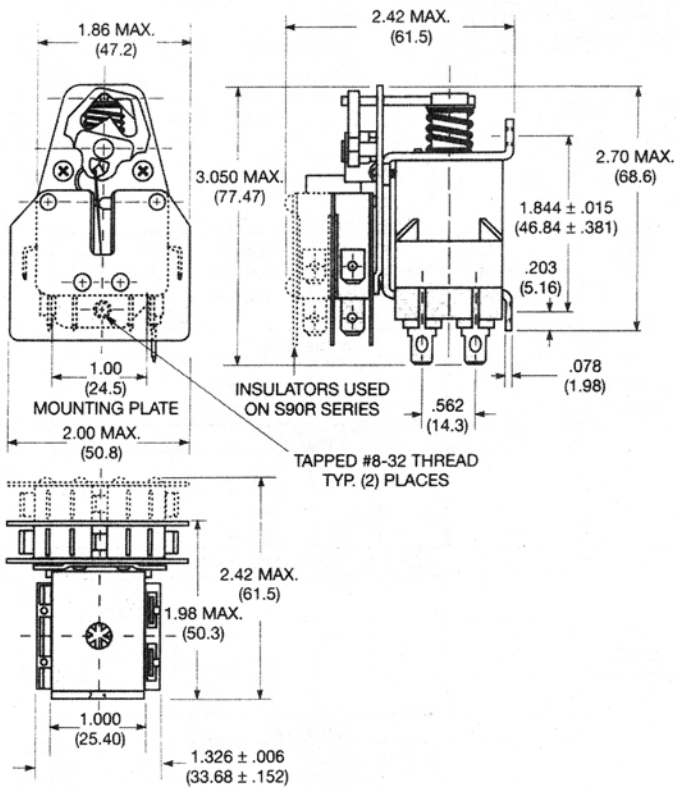
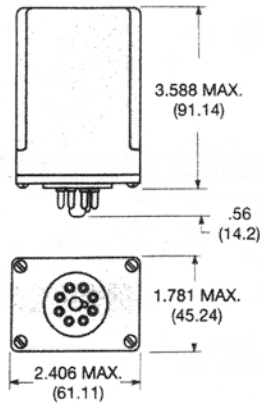


**OUTLINE DIMENSIONS**

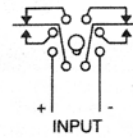
**OPEN RELAYS**



**ENCLOSED RELAYS**  
S89 SERIES

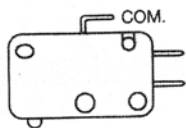


**WIRING DIAGRAM**



**7**  
**RELAYS**

**SWITCH TERMINAL CONFIGURATION**



**STYLE 1**

**SWITCH TERMINAL STYLE**

C = .187" (4.75 mm) Quick-connect  
D = .250" (6.35 mm) Quick-connect

