

7
R
E
L
A
S

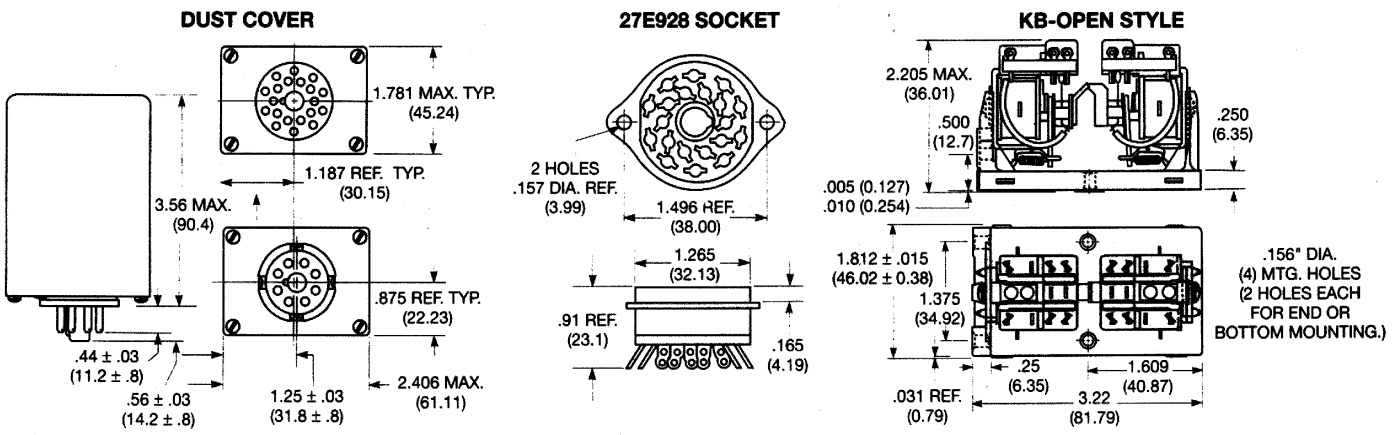
ORDERING INFORMATION

		Typical Part Number >				KBP	-11	A	G	-24
1. TYPE:		KBP = Enclosed, dual coil latching relay.		KB = Open, dual coil latching relay.						
2. CONTACT ARRANGEMENT:		5 = 1 Form C (SPDT) 11 = 2 Form C (DPDT) 14 = 3 Form C (3PDT) 16 = 4 Form B (4PST-NC) 17 = 4 Form C (4PDT) 20 = 5 Form C (5PDT)								
3. COIL INPUT:		A = AC D = DC								
4. CONTACT RATING:		G = 10 amps @ 120VAC, 80% PF.								
5. COIL VOLTAGE:		12, 24, 48, 110VDC 12, 24, 120, 240VAC Specify the same latch and release coil voltage for standard KBP relays. Unlike coils available on special order.								

STOCK ITEMS - The following items are normally maintained in stock for immediate delivery.

KB-17AG-120	KB-17DG-12	KBP-11AG-120	KBP-11DG-110
	KBP-11A-120	KBP-11DG-24	KBP-20AG-120

OUTLINE DIMENSIONS



WIRING DIAGRAMS (Bottom View)

Note: shown with reset coil energized last.

