



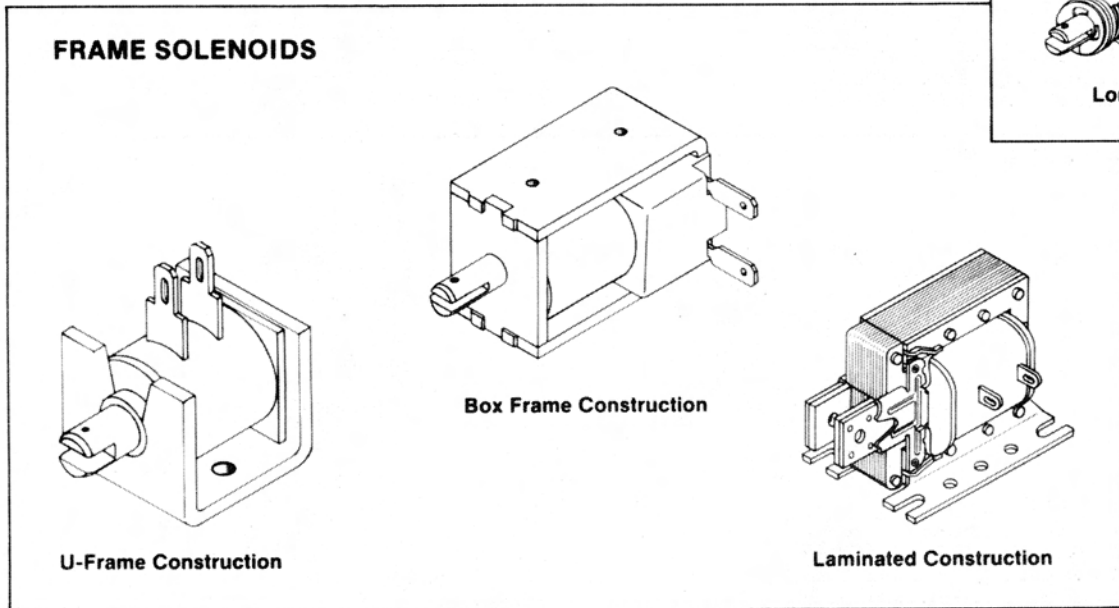
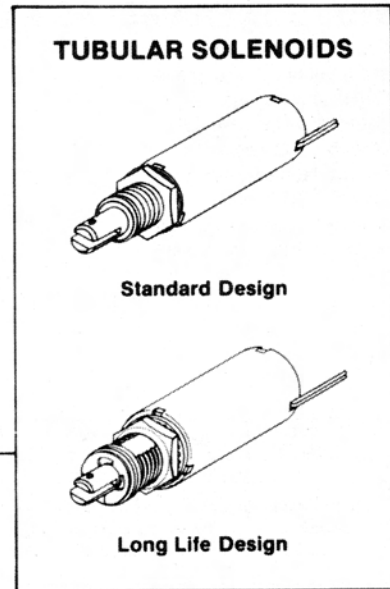
There are two basic types of solenoids, frame and tubular.

These two major groups are then subdivided by construction, as noted in the diagrams.

The products listed in this section are the standard/stock models.

For the purpose of comparison, all the products were measured for pull force at 1/8". The solenoids do function at different lengths. If you require additional information on a particular product, ask your local sales person for a data sheet.

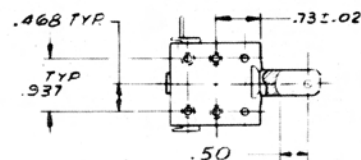
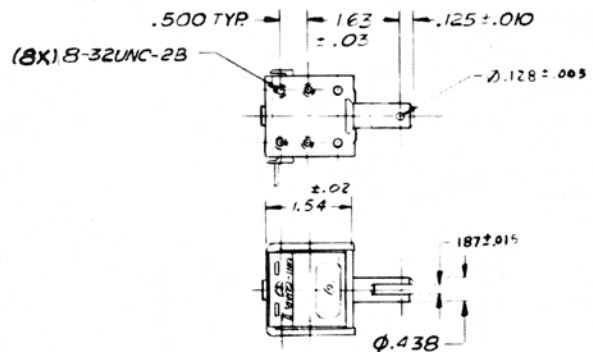
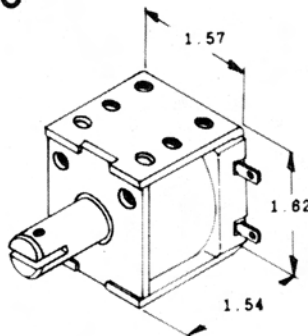
Guardian does produce custom designed solenoids. If you cannot find the right product listed, contact the sales department of Relay Specialties.



FRAME SOLENOIDS

NO. 2 - BOX FRAME - AC & DC

- Uniguard II bobbin and coil cover
- .187" Quick connect lugs
- Standard/stock AC voltage 120
- Standard/stock DC voltage 12, 24
- Class "A" insulation system
- Stroke length 0-3/4"
- Plunger weight 1.1 oz. (31.6 grams)
- Total weight 9.5 oz. (270 grams)



Coil Voltage	Coil Res. Ω	Duty	Pull at 1/8"	Holding Force	PART NUMBERS
120VAC	45	Int.	55 oz.	83 oz.	2-I-120A
120VAC	140	Cont.	20 oz.	57 oz.	2-C-120A
12VDC	5.8	Int.	96 oz.	183 oz.	2-I-12D
12VDC	18.1	Cont.	45 oz.	147 oz.	2-C-12D
24VDC	22.6	Int.	96 oz.	183 oz.	2-I-24D
24VDC	71	Cont.	45 oz.	147 oz.	2-C-24D