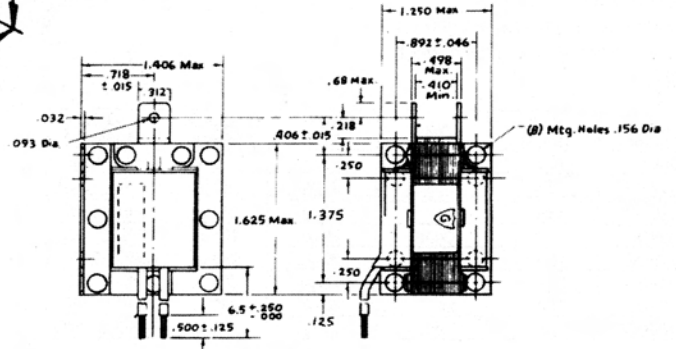
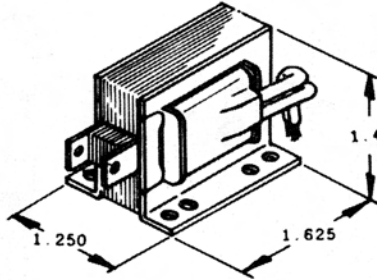




NO. 12 - LAMINATED FRAME - AC

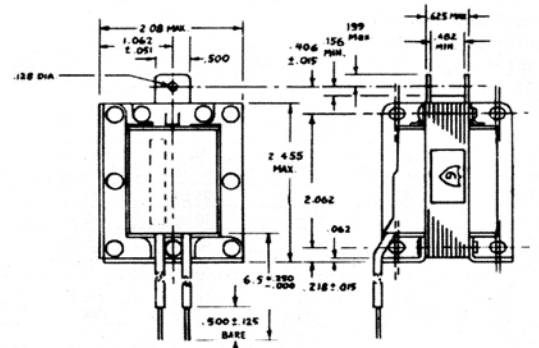
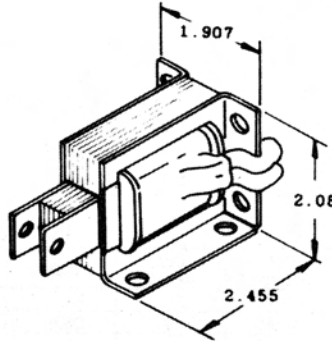
- Taped coil finish
- 22 or 18 Ga. wire leads
- Standard/stock AC voltage 120
- Class "A" insulation system
- Stroke length 0-7/8"
- Plunger weight 1 oz. (28 grams)
- Total weight 5.5 oz. (156 grams)



Coil Voltage	Coil Res. Ω	Duty	Pull at 1/8"	Holding Force	PART NUMBERS
120VAC	100	Int.	49 oz.	38 oz.	12-I-120A
120VAC	150	Cont.	30 oz.	27 oz.	12-C-120A

NO. 14 - LAMINATED FRAME - AC

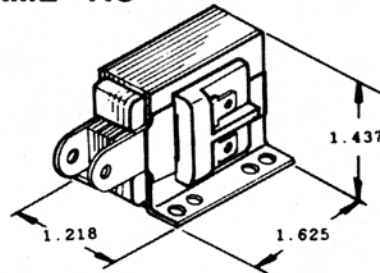
- Taped coil finish
- 22 or 18 Ga. wire leads
- Standard/stock AC voltage 120
- Class "A" insulation system
- Stroke length 0 - 1-1/2"
- Plunger weight 2.6 oz. (74 grams)
- Total weight 18 oz. (510 grams)



Coil Voltage	Coil Res. Ω	Duty	Pull at 1/8"	Holding Force	PART NUMBERS
120VAC	11	Int.	132 oz.	217 oz.	14-I-120A
120VAC	18	Cont.	96 oz.	353 oz.	14-C-120A

NO. 16 - LAMINATED FRAME - AC

- Uniguard II coil finish
- .187" Quick connect lugs
- Standard/stock AC voltage 120, 240
- Class "A" insulation system
- Push type available specify 16P
- Stroke length 0 - 3/4"
- Plunger weight 2 oz. (56 grams)
- Total weight 9 oz. (255 grams)



Coil Voltage	Coil Res. Ω	Duty	Pull at 1/8"	Holding Force	PART NUMBERS
120VAC	41	Int.	110 oz.	150 oz.	16-I-120A
120VAC	85	Cont.	63 oz.	74 oz.	16-C-120A
240VAC	200	Int.	110 oz.	150 oz.	16-I-240A
240VAC	350	Cont.	63 oz.	74 oz.	16-C-240A

PUSH TYPE

120VAC	41	Int.	88 oz.	142 oz.	16P-I-120A
120VAC	85	Cont.	50.5 oz.	70 oz.	16P-C-120A

