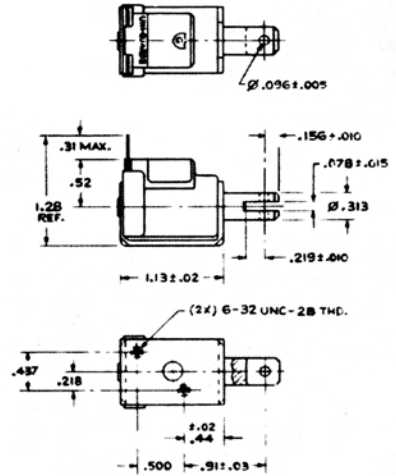
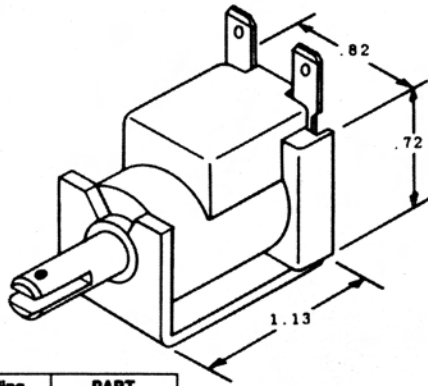




## NO. 34 - U-FRAME - AC & DC

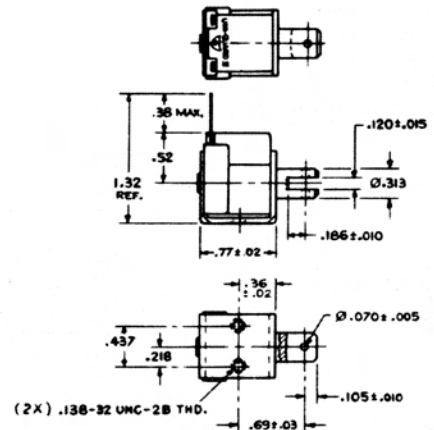
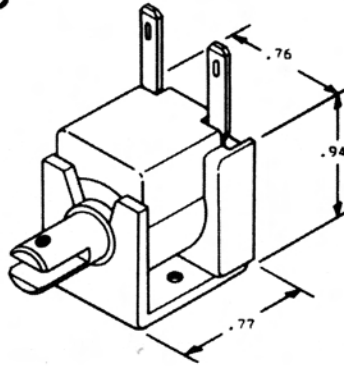
- Uniguard II bobbin and coil cover
- .187" Quick connect lugs
- Standard/stock AC voltage 120
- Standard/stock DC voltage 12, 24
- Class "A" insulation system
- Stroke length 0 - 3/8"
- Plunger weight .44 oz. (12.5 grams)
- Total weight 1.78 oz. (50.4 grams)



Coil Voltage	Coil Res. Ω	Duty	Pull at 1/8"	Holding Force	PART NUMBERS
120VAC	400	Int.	10 oz.	25 oz.	34-I-120A
120VAC	865	Cont.	5.3 oz.	17 oz.	34-C-120A
12VDC	16.7	Int.	11 oz.	62 oz.	34-I-12D
12VDC	42.3	Cont.	4 oz.	47 oz.	34-C-12D
24VDC	67	Int.	11 oz.	62 oz.	34-I-24D
24VDC	168	Cont.	4 oz.	47 oz.	34-C-24D

## NO. 38 - U-FRAME - AC & DC

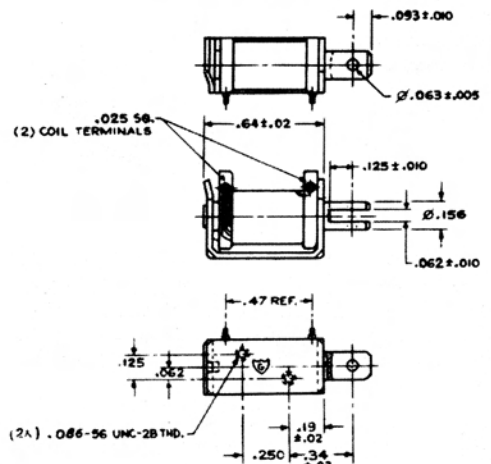
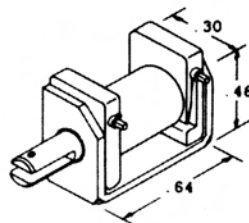
- Uniguard II bobbin and coil cover
- .110" Quick connect lugs
- Standard/stock AC voltage 120
- Standard/stock DC voltage 24
- Class "A" insulation system
- Stroke length 0 - 3/8"
- Plunger weight .23 oz. (6.7 grams)
- Total weight 1.07 oz. (30 grams)



Coil Voltage	Coil Res. Ω	Duty	Pull at 1/8"	Holding Force	PART NUMBERS
120VAC	860	Int.	4.0 oz.	20 oz.	38-I-120A
120VAC	1500	Cont.	2.5 oz.	8 oz.	38-C-120A
24VDC	95	Int.	2.7 oz.	36 oz.	38-I-24D
24VDC	193	Cont.	0.8 oz.	22 oz.	38-C-24D

## NO. 42 - U-FRAME - DC

- Taped coil finish
- .025" sq. pin terminals
- Standard/stock DC voltage 12, 24
- Class "A" insulation system
- Stroke length 0 - 1/8"
- Plunger weight .023 oz. (.7 grams)
- Total weight .229 oz. (6.5 grams)



Coil Voltage	Coil Res. Ω	Duty	Pull at 1/8"	Holding Force	PART NUMBERS
12VDC	83.7	Int.	.5 oz.	12 oz.	42-I-12D
12VDC	106	Cont.	.25 oz.	10 oz.	42-C-12D
24VDC	297	Int.	.5 oz.	12 oz.	42-I-24D
24VDC	412	Cont.	.25 oz.	10 oz.	42-C-24D