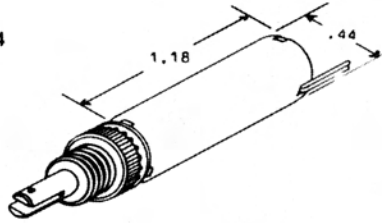




## T3.5X9 - DC

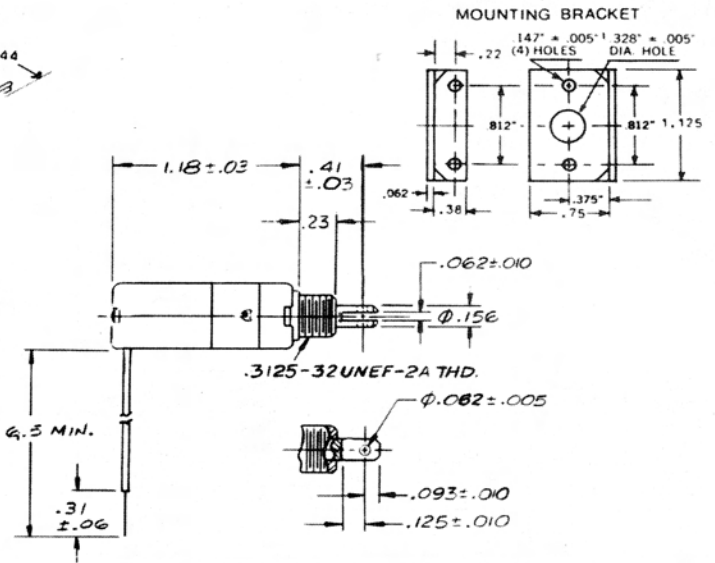
- 28 Ga. wire leads
- Standard/stock DC voltages 12 & 24
- Class "A" insulation
- Push type available specify TP
- Stroke length 0 - 3/8"
- Plunger weight .1 oz. (2.9 grams)
- Total weight .6 oz. (18 grams)



Coil Voltage	Coil Res. $\Omega$	Duty	Pull at 1/8"	Holding Force	PART NUMBERS
12VDC	31.1	Int.	1.8 oz.	22 oz.	T3.5X9-I-12D
12VDC	60.2	Cont.	1.0 oz.	20 oz.	T3.5X9-C-12D
24VDC	122	Int.	1.8 oz.	22 oz.	T3.5X9-I-24D
24VDC	254	Cont.	1.0 oz.	20 oz.	T3.5X9-C-24D

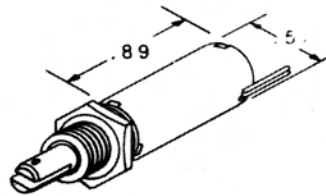
### PUSH TYPE

12VDC	31.1	Int.	1.5 oz.	18.7 oz.	TP3.5X9-I-12D
12VDC	60.2	Cont.	.6 oz.	17 oz.	TP3.5X9-C-12D
24VDC	122	Int.	1.5 oz.	18.7 oz.	TP3.5X9-I-24D
24VDC	254	Cont.	.6 oz.	17 oz.	TP3.5X9-C-24D



## T4X7 - DC

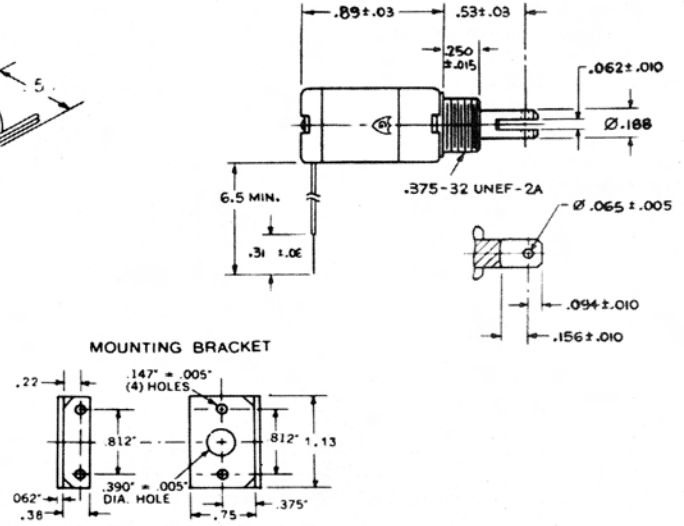
- 26 Ga. wire leads
- Standard/stock DC voltages 12 & 24
- Class "A" insulation
- Push type available specify TP
- Stroke length 0 - 3/8"
- Plunger weight .138 oz. (4.1 grams)
- Total weight .58 oz. (20.1 grams)



Coil Voltage	Coil Res. $\Omega$	Duty	Pull at 1/8"	Holding Force	PART NUMBERS
12VDC	32.3	Int.	2.1 oz.	24 oz.	T4X7-I-12D
12VDC	62.5	Cont.	1.1 oz.	21 oz.	T4X7-C-12D
24VDC	131	Int.	2.1 oz.	24 oz.	T4X7-I-24D
24VDC	270	Cont.	1.1 oz.	21 oz.	T4X7-C-24D

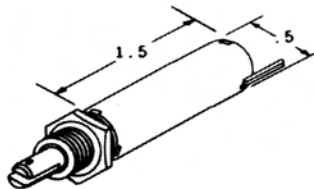
### PUSH TYPE

24VDC	131	Int.	1.2 oz.	20 oz.	TP4X7-I-24D
24VDC	270	Cont.	.5 oz.	17 oz.	TP4X7-C-24D



## T4X12 - DC

- 26 Ga. wire leads
- Standard/stock DC voltages 12 & 24
- Class "A" insulation
- Push type available specify TP
- Stroke length 0 - 1/2"
- Plunger weight .283 oz. (8 grams)
- Total weight .99 oz. (28 grams)



Coil Voltage	Coil Res. $\Omega$	Duty	Pull at 1/8"	Holding Force	PART NUMBERS
12VDC	27.7	Int.	3.2 oz.	25 oz.	T4X12-I-12D
12VDC	49	Cont.	2.0 oz.	21 oz.	T4X12-C-12D
24VDC	96.7	Int.	3.2 oz.	25 oz.	T4X12-I-24D
24VDC	195	Cont.	2.0 oz.	21 oz.	T4X12-C-24D

### PUSH TYPE

24VDC	96.7	Int.	2.7 oz.	21 oz.	TP4X12-I-24D
24VDC	195	Cont.	1.35 oz.	17 oz.	TP4X12-C-24D

