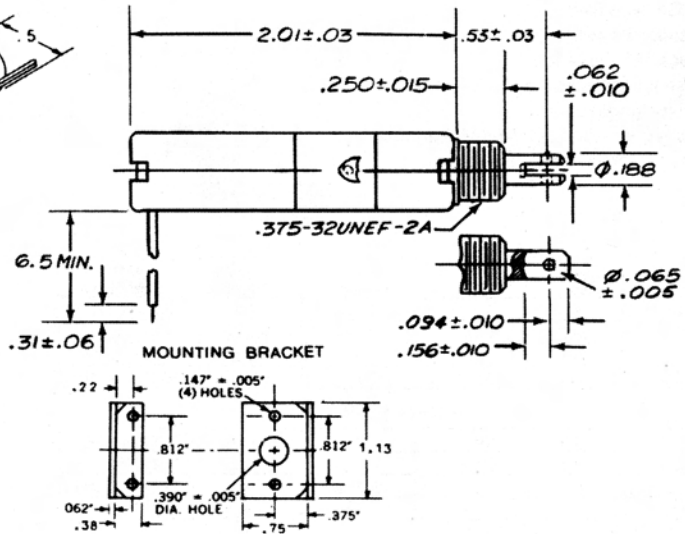
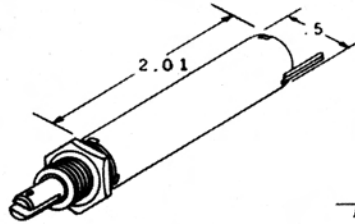




T4X16 DC

- 26 Ga. wire leads
- Standard/stock DC voltages 12 & 24
- Class "A" insulation
- Push type available specify TP
- Stroke length 0 - 5/8"
- Plunger weight .362 oz. (9.2 grams)
- Total weight 1.35 oz. (34 grams)



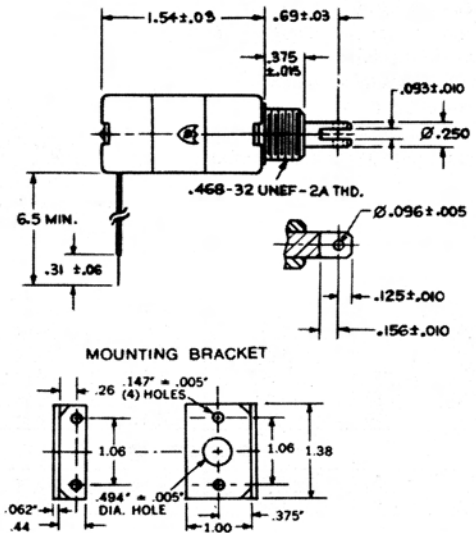
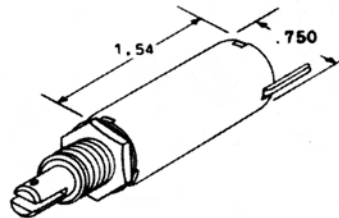
Coil Voltage	Coil Res. Ω	Duty	Pull at 1/8"	Holding Force	PART NUMBERS
12VDC	17.7	Int.	3.75 oz.	28 oz.	T4X16-I-12D
12VDC	45.1	Cont.	2.0 oz.	23 oz.	T4X16-C-12D
24VDC	72.7	Int.	3.75 oz.	28 oz.	T4X16-I-24D
24VDC	173	Cont.	2.0 oz.	23 oz.	T4X16-C-24D

PUSH TYPE

12VDC	17.7	Int.	3.4 oz.	24 oz.	TP4X16-I-12D
12VDC	45.1	Cont.	1.8 oz.	19 oz.	TP4X16-C-12D
24VDC	72.7	Int.	3.4 oz.	24 oz.	TP4X16-I-24D
24VDC	173	Cont.	1.8 oz.	19 oz.	TP4X16-C-24D

T6X12 - DC

- 26 Ga. wire leads
- Standard/stock DC voltages 12 & 24
- Class "A" insulation
- Push type available specify TP
- Stroke length 0 - 3/4"
- Plunger weight .421 oz. (11.9 grams)
- Total weight 2.34 oz. (66.3 grams)



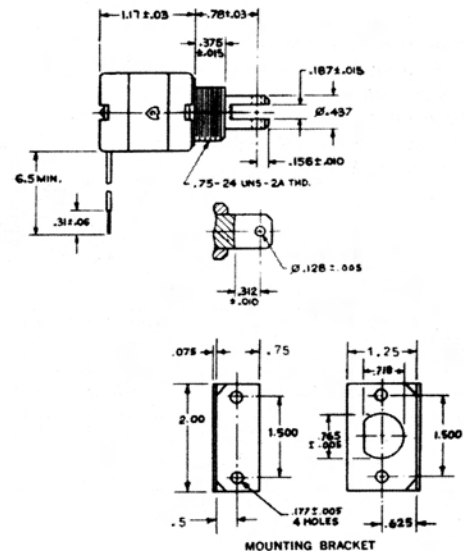
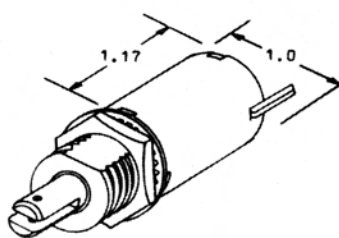
Coil Voltage	Coil Res. Ω	Duty	Pull at 1/8"	Holding Force	PART NUMBERS
12VDC	12.1	Int.	15.0 oz.	54 oz.	T6X12-I-12D
12VDC	31.7	Cont.	8.4 oz.	49 oz.	T6X12-C-12D
24VDC	60.6	Int.	12.8 oz.	52 oz.	T6X12-I-24D
24VDC	121	Cont.	8.4 oz.	49 oz.	T6X12-C-24D

PUSH TYPE

12VDC	12.1	Int.	13.6 oz.	46 oz.	TP6X12-I-12D
12VDC	31.7	Cont.	6.1 oz.	41 oz.	TP6X12-C-12D
24VDC	60.6	Int.	10.8 oz.	44 oz.	TP6X12-I-24D
24VDC	121	Cont.	6.1 oz.	41 oz.	TP6X12-C-24D

T8X9 - DC

- 22 Ga. wire leads
- Standard/stock DC voltages 12 & 24
- Class "A" insulation
- Push type available specify TP
- Stroke length 0 - 5/8"
- Plunger weight 1.1 oz. (31 grams)
- Total weight 3.46 oz. (98.6 grams)



Coil Voltage	Coil Res. Ω	Duty	Pull at 1/8"	Holding Force	PART NUMBERS
12VDC	10.9	Int.	27.5 oz.	122 oz.	T8X9-I-12D
12VDC	35.5	Cont.	8.7 oz.	96 oz.	T8X9-C-12D
24VDC	44	Int.	27.5 oz.	122 oz.	T8X9-I-24D
24VDC	135	Cont.	8.7 oz.	96 oz.	T8X9-C-24D

PUSH TYPE

24VDC	44	Int.	23 oz.	103 oz.	TP8X9-I-24D
24VDC	135	Cont.	7.4 oz.	82 oz.	TP8X9-C-24D