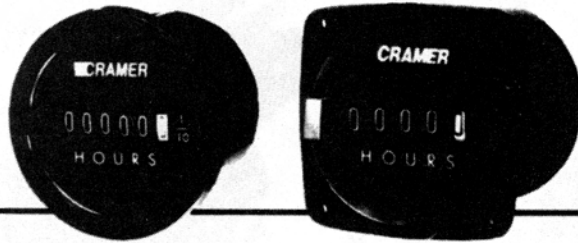
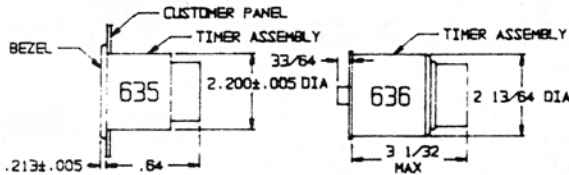


Designed to show amount of time used from the moment the meter is started.



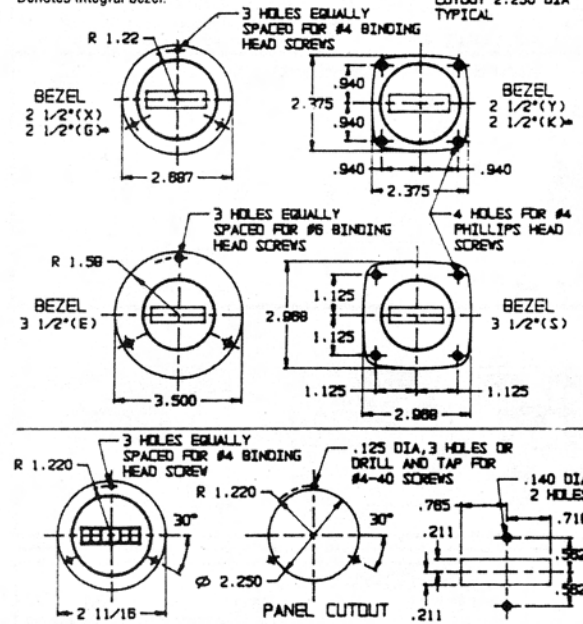
Series 635
(Non-resettable)

Series 636
(Resettable)



SELECTING THE BEZEL

*Denotes integral bezel.



PERFORMANCE DATA

Time registration : 635—99999.9 min or hrs/636—9999.9 sec, min or hrs.
Motor Ratings : 24, 120, 240VAC / 50 or 60 Hz.
Power Consumption : 2.7 watts (electrical connections 6 inch leads)
Ambient temperature : -20°C to +55°C
 UL Listed and CSA Approved.

For controlling length of procedures or delaying the start of a procedure.

Cramer Interval Timers are designed specifically to time the period during which a load is energized. All series available with either manual or automatic reset.

	Series 241 Time Ranges: 6 sec to 120 hours. Load Switch: 15 Amp — 125V 10 Amp — 250V	Controls a wide range of electrically operated equipment, such as copying machines, mixers, ovens, tumbling and plating machines and insulation testing machines. Available from stock for immediate shipment.
	Series 271 Time Ranges: 60 sec to 72 hours. Load Switch: 15A 115V Resistive or 115V 1/3 HP	Primarily for built-in applications. Available with or without standard dial and pointer-knob. In two-pole units, second cam is factory set to operate immediately prior to the first.
	Series N30 Time Ranges: 6 sec to 3 days. Load Switch: 1 or 2, SPDT-10A	An inexpensive manual-set unit engineered for easy panel mount. Smooth internal friction for ease of setting regardless of time range. Dust cover optional for flange-mounted units.
	Series D10J-K Time Ranges: 15 sec to 3 days. Load Switch: 1 or 2, SPDT-10A	Relay Timer for use either as a delay function or interval function where remote actuation is required. Usually triggered by independent action rather than operator.
	Series 472 Time Ranges: .4-6 sec to 96 min. - 24 hours. Load Switch: 1 or 2, SPDT-10A	Designed for interval or delay timing with 3 switches, motor and clutch wired to 8-place terminal block. Permits momentary or sustained contact control.