

## "snap action" THERMAL TIME DELAY RELAY SERIES TYPE "S"

- 7 PIN MINIATURE HOOKED TERMINALS - 7 PIN SOLDER TERMINALS
- 9 PIN MINIATURE STRAIGHT TERMINALS - 8 PIN OCTAL PLUG IN

### 1. SPECIFICATIONS:

**GENERAL DESCRIPTIONS.** This relay is designed to meet all environmental conditions of aircraft, missile, computer and electronic equipment applications. All exterior connections are metal to metal or metal to glass and are finished to conform to applicable requirements. Inorganic materials are used internally.

**1.1 - Time Delay:** 3 to 120 seconds. 3, 4 and 5 second time delays for intermittent duty only. Relay to be de-energized at the completion of time delay interval.

**1.2 - Time Delay Tolerance:**

± 25% - 3, 4 and 5 second time delays +2 seconds  
± 15% available

**1.3 - Input Voltage:** Standard 6.3, 26.5 and 115 Volts - others 5 to 125 Volts upon request.

Frequency - AC or DC  
Power - 2.5 to 3.9 watts on standard Relays.

**1.4 - Contact Resistance:** less than 0.1 ohms.

**1.5 - Ambient Temperature:** Compensated for ambient variations from 65 C to +125 C. For additional tolerance over the temperature range, contact factory.

**1.6 - Contacts:**

Type - S.P.D.T. Form 1A

Rating - S.P.D.T.:

120 VAC-3 amps resistive

28 VDC-3 amps resistive

**1.7 - Relay Life:** In excess of 100,000 operations under average operating conditions.

**1.8 - Dielectric Strength:** Insulated for test voltage of 1000 volts peak between heater, contacts and shell, and 500 volts peak across open contacts.

**1.9 - Insulation Resistance:** 100 megohms minimum when checked with a DC potential of 100 volts.

**1.10 - Vibrations:**

S.P.D.T. - Will withstand vibrations over the frequency range of 5 to 55 cps with an amplitude of 0.03 inches (total excursion of 0.06 inches).

**1.11 - Shock:**

S.P.D.T. - Impact of 50g does not damage the relay.

**1.12 - Altitude:** Hermetically sealed Relay operates satisfactorily for altitudes to 70,000 feet.

### 2.. CONSTRUCTION:

**2.1 - Relays** are enclosed in metal envelope, hermetically sealed.

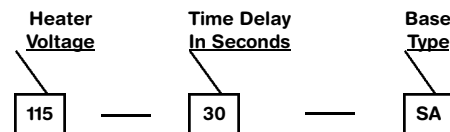
**2.2 - Finish:** Baked black enamel

**2.3 - Weight:** Less than 2 ounces

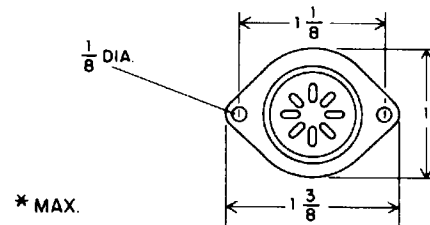
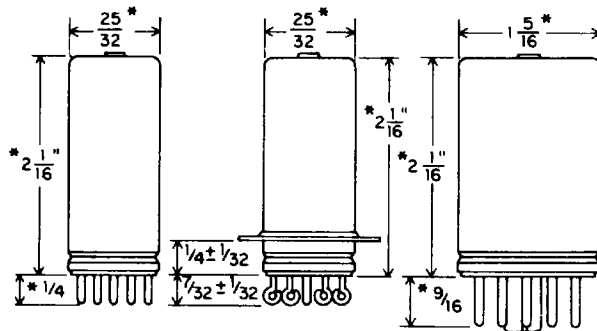
**2.4 - Manufacturers name and part number** are printed on the can.

### 3. ORDERING

The "S" series may be ordered in the following manner

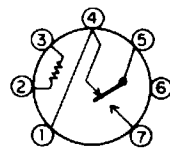


S= TYPE  
A= 7 PIN  
B= 8 PIN OCTAL  
C= 9 PIN  
D = 7 HOOK TERMINALS  
F= FLANGE MOUNTING

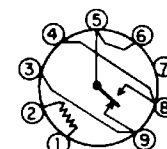


TOLERANCE UNLESS OTHERWISE SPECIFIED: FRACTIONS ± 1/64

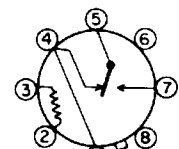
### BASE DIAGRAMS (BOTTOM VIEWS)



7 PIN MINIATURE AND 7 HOOKED SOLDER TERMINALS



9 PIN MINIATURE



8 PIN OCTAL