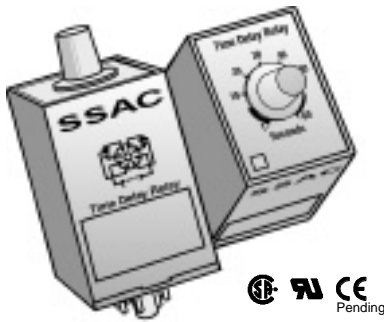


Knob Adjust Time Delay Relay

✓ **Accurate Knob Adjustable Plug-in Time Delays**

10

**T
I
M
E
R
S
&
F
L
A
S
H
E
R
S**



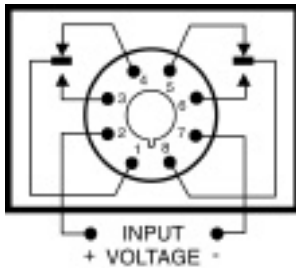
1.78"x 2.39"x 3.62" (45x61x92mm)

PRL Series

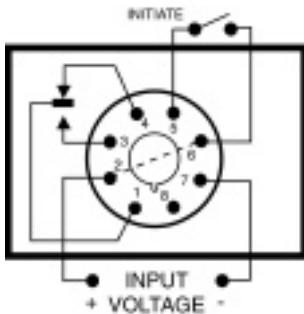
- Knob Adjustable Time Delays
- Delay On Make, Delay On Break or Single Shot Operation
- 0.05 to 600 Seconds in 6 Ranges
- Analog Circuitry ± 2% Accuracy
- AC Operating Voltages are Available (DC Voltages made to order)
- 10 Amps Isolated SPDT or DPDT Contacts
- LED Indicates Relay Status and Timing

Description: The PRL Series is a quality timing product designed for general use. It offers low cost control, full 10 Amps relay output, and onboard LED indication. The knob-adjustment provides a guaranteed time range of up to 10 minutes in 6 ranges. The onboard LED indicates if the unit is timing (flashing LED) and the status of the output. The PRL utilizes the industry standard octal plug-in connection for easy installation.

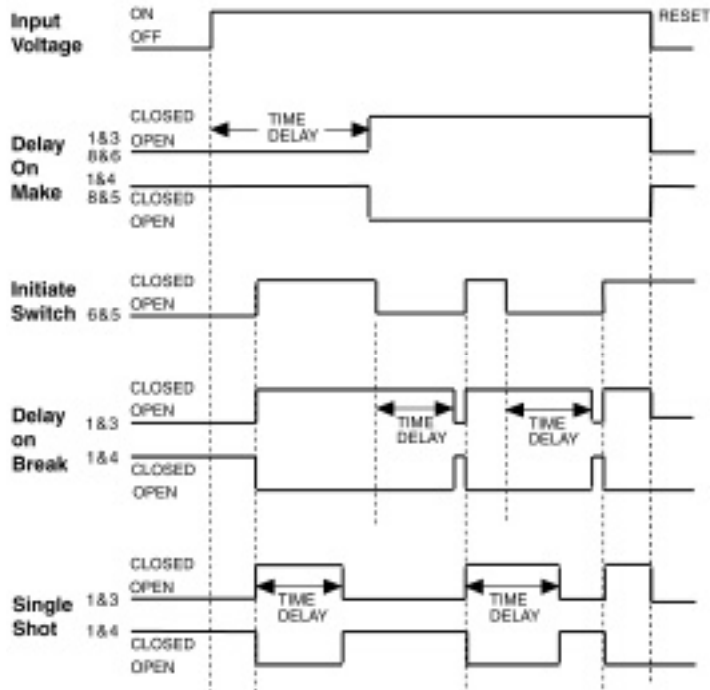
Connection Diagrams



PRLM



PRLB, PRLS



Mode	Voltage	Time Delay Range	Part Number
Delay on Make	24VAC	1 to 60 S	PRLM223
		0.1 to 10 S	PRLM422
		1 to 60 S	PRLM423
		7 to 600 S	PRLM426
Delay on Break	120VAC	1 to 60 S	PRLB423
		7 to 600 S	PRLB426
Single Shot	120VAC	0.1 to 10 S	PRLS422
		1 to 60 S	PRLS423

Other options and voltages available

Accessories

BZ1
Panel Mount Kit for use with all SSAC Plug-in Time Delay Relays

Fits 35mm DIN RAIL

NDS-8
8 Pin Octal Socket
Screws and Captive Wire Clamps

PSC8
2 Hold Down Clips for NDS-8 Socket