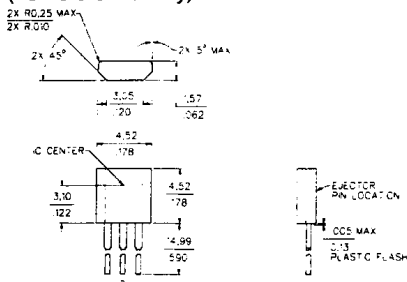


## Magnetic Sensors Digital Output

2SSP



### MOUNTING DIMENSIONS (For reference only)



### OPERATION

2SSP Series position sensors have magnetoresistive material integrated on silicon and encapsulated in a plastic package. The integrated circuit provides a digital output in response to very low magnetic fields. Though this signal is identical to our digital Hall effect sensors, it can be achieved by magnetoresistive sensors at much greater sensor-to-magnet distances. For example, the 2SSP sensing distance is approximately one inch, when operated by a MICRO SWITCH 101MG3 magnet.

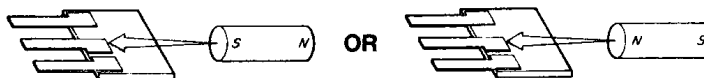
### FEATURES

- Low gauss operation can extend sensing distance to one inch or more, depending on magnet size
- Digital current sinking output
- Omnipolar – can be operated with either North or South magnetic pole
- Operating speed: 0 to over 100 kHz
- Small size: .18 x .18 inch
- 3-pin, in-line PC board terminals on .100-inch mounting centers
- Operating temperature range: -20° to 85°C (-4° to 185°F)
- Parallel magnetic field operation

### 2SSP ORDER GUIDE

Catalog Listing	Supply Voltage (VDC)	Supply Current (mA)	Output Voltage (V)	Output Current (mA)	Magnetic Gauss @ 25°C Typ.		
					Op.	Rel.	Dif.
2SSP	6 to 24	13.5	.40 max.	20mA	15	11	4

### OPERATING MODE

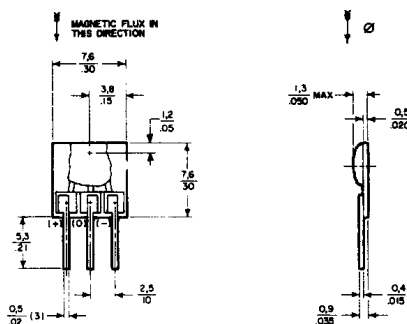


## Magnetic Sensors Digital Output

SS2 Series



### MOUNTING DIMENSIONS (For reference only)



### OPERATION

SS2 Series position sensors have magnetoresistive material integrated on silicon and protected by an epoxy overcoat. The integrated circuit provides a digital output in response to very low magnetic fields. Though this signal is identical to our digital Hall effect sensors, it can be achieved by magnetoresistive sensors at much greater sensor-to-magnet distances. For example, the SS2 sensing distance is approximately one inch, when operated by a MICRO SWITCH 101MG3 magnet.

### FEATURES

- Low gauss operation can extend sensing distance to one inch or more, depending on magnet size
- Digital current sinking output
- Omnipolar—can be operated with either North or South magnetic pole
- Operating speed: 0 to over 100 kHz
- Small size: .3 x .3 inch (with epoxy chip protection)
- 3-pin, in-line PC board terminals on .100-inch mounting centers
- Operating temperature range: -20° to 85°C (-4° to 185°F)
- Parallel magnetic field operation

### SS2 SERIES ORDER GUIDE

Catalog Listing	Supply Voltage (VDC)	Supply Current (mA)	Output Voltage (V)	Output Current (mA)	Magnetic Gauss @ 25°C Typ.		
					Op.	Rel.	Dif.
SS21PE	4.5 to 5.5	10	.40	20	15	11	4
SS22PE	6 to 24	13.5	.40	20	15	11	4

### OPERATING MODE

