

Model 2628 AC/DC VOLTAGE MONITOR

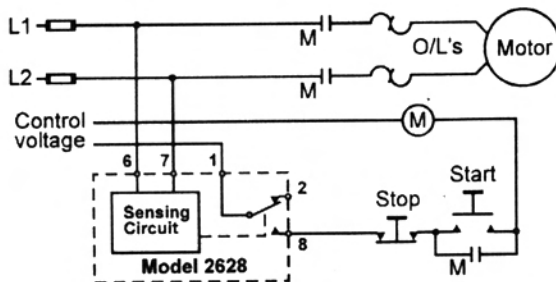
- Monitors Over or Under Voltage
- AC or DC Voltages - 15 to 260 Volts
- Adjustable Trip Points
- Automatic Reset



SPECIFICATIONS

Supply Voltage	15 to 260 VAC or VDC
Max. Supply Voltage	280 VAC or 300 VDC
Power Consumption	1.5 watts max.
Transient Protection	2500V for 10 msec
Setpoint Stability	± 1%
Response Time	1 sec-ON / 100 msec-OFF
Reset Type	Automatic
Dead Band	all ranges: less than 5%
Contact Rating	SPDT 10A at 240 VAC
Expected Relay Life	Mech: 10 million operations Elec: 100,000 at rated load
Operating Temp	- 13° to +122° F
Humidity Tolerance	0 - 97% w/o condensation
Enclosure Material	ABS plastic
Mounting	8-pin socket (order separately)
Weight	5 oz.

TYPICAL APPLICATION



Model 268 OVER & UNDER VOLTAGE MONITOR

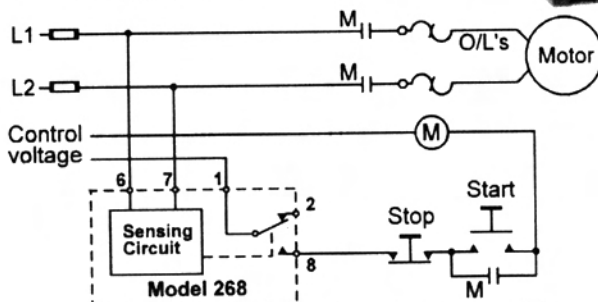
- Monitors Over and Under Voltage
- Voltage Range - 90 to 140 VAC
- High & Low Adjustable Trip Points
- Automatic Reset



SPECIFICATIONS

Adjustment Range	Fixed conditions: 0.1% max. Over temp range: 1.2% max.
Setpoint Stability	Over voltage: 120 - 140 VAC Under voltage: 90 - 110 VAC
Response Time	50 msec
Line Frequency	45 - 420 Hz
Transient Protection	2500V for 10 msec
Contact Rating	SPDT 10A at 240 VAC
Expected Relay Life	Mech: 10 million operations Elec: 100,000 at rated load
Operating Temp	- 40° to +131° F
Humidity Tolerance	0 - 97% w/o condensation
Enclosure Material	ABS plastic
Mounting	8-pin socket (order separately)
Weight	4 oz.

TYPICAL APPLICATION



schematic shows no power applied