

Model 253 REVERSE PHASE RELAY

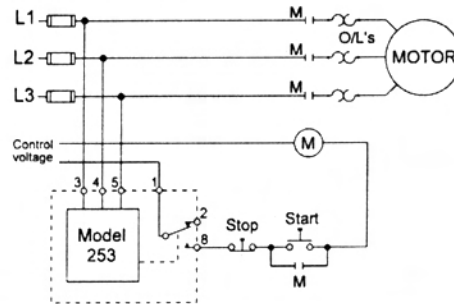


SPECIFICATIONS

Nominal Voltage	208 - 480 VAC (phase to phase)
Operating Range	190 - 480 VAC
Frequency	50 to 60 Hz
Power Consumption	2W per phase
Transient Protection	2500V for 10 msec
Repeat Accuracy	± 0.1% (fixed conditions)
Response Time	0.05 seconds
Reset Time	0.05 seconds
Reset Type	Automatic
Dead Band	Approximately 2%
Output Contacts	SPDT 10A at 240 VAC
Expected Relay Life	Mech: 10 million operations Elec: 100,000 at rated load
Operating Temp	- 40° to +131° F
Humidity Tolerance	0 - 97% w/o condensation
Enclosure Material	ABS plastic
Mounting	8-pin socket (order separately)
Weight	6 oz.
Agency Approval	UL Recognized and CSA Certified

- Senses Phase Reversal
- Low Power Consumption
- Socket-Mounted
- 5-Year Factory Warranty

TYPICAL APPLICATION

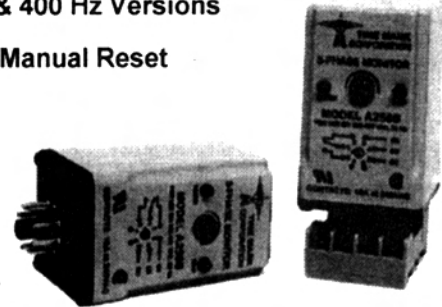


Models 257 & 258 3-PHASE MONITORS

SPECIFICATIONS

	B257B B257BM	257B 257BM	A257B A257BM	EX257B EX257BM	B257B-400 B257BM-400	257B-400 257BM-400
257 - AUTO 257 - MANUAL	B258B B258BM	258B 258BM	A258B A258BM	EX258B EX258BM	B258B-400 B258BM-400	258B-400 258BM-400
Nominal AC Voltage (phase to phase)	120	208/240	480	380	120	208/240
Case Color	Gray	Red	Yellow	Yellow	Gray	Red
Adjustment Range	85-120	160-240	380-480	300-400	85-120	160-240
Frequency	60 Hz	60 Hz	60 Hz	50 Hz	400 Hz	400 Hz
Pwr Consumption	0.75W	1.5W	4.5W	3.75W	0.75W	1.5W
Transient Protection	2500 VAC for 10 msec					
Repeat Accuracy	± 0.1% of set point (fixed conditions)					
Response Time	50 msec (set or reset)					
Dead Band	Approx. 2%					
Output Contacts	SPDT 10 amps at 240 VAC					
Expected Relay Life	Mech: 50 million operations Elec: 100,000 ops at rated load					
Operating Temp	- 40° to +131° F					
Humidity Tolerance	0 - 97% w/o condensation					
Enclosure Material	Dust cover: ABS plastic Header: Nylon					
Mounting	8-pin socket (order separately)					
Weight	5 oz.					
Agency Approvals	UL Recognized and CSA Certified CONDITION OF ACCEPTABILITY: 380V and 480V versions MUST be used with a UL Recognized 600VAC socket					

- Detects Phase Loss or Reversal and Low Voltage
- 50 Hz, 60 Hz & 400 Hz Versions
- Automatic or Manual Reset



Model 257

DIMENSIONS

Model 258

