

9mm Size Metal Shaft Potentiometer

- **Features** Smallest Audio Industry Series
Ideal for TV / Audio / Video / General Purpose
Compact size / high performance

Type Potentiometer: R097 Series

Size / Travel: 09

Product Series: 7

Number of Shafts: 1

Number of Elements: 1 & 2

Style: X

Resistance Codes: 103 10kΩ
203 20kΩ
503 50kΩ
104 100kΩ

Tapers: A Audio
B Linear

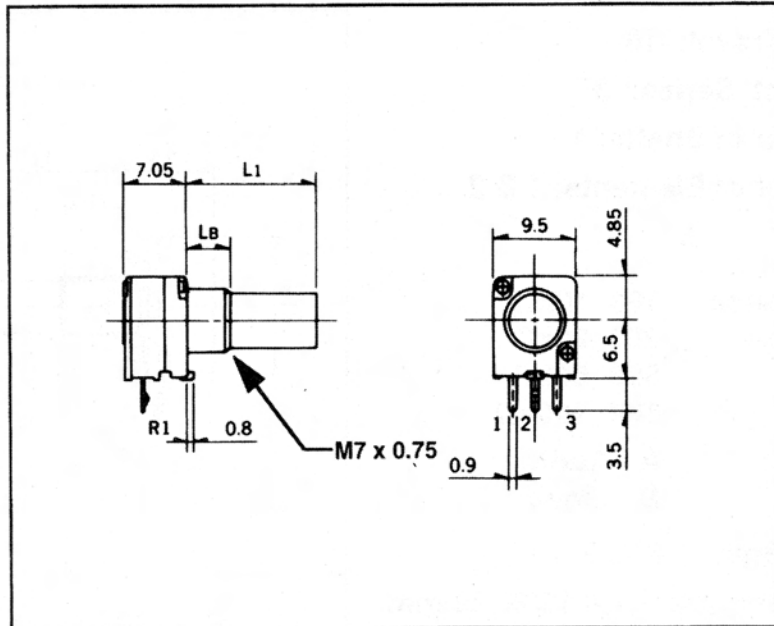
Shaft Style: K & F

Shaft Length: L1 = 15 mm

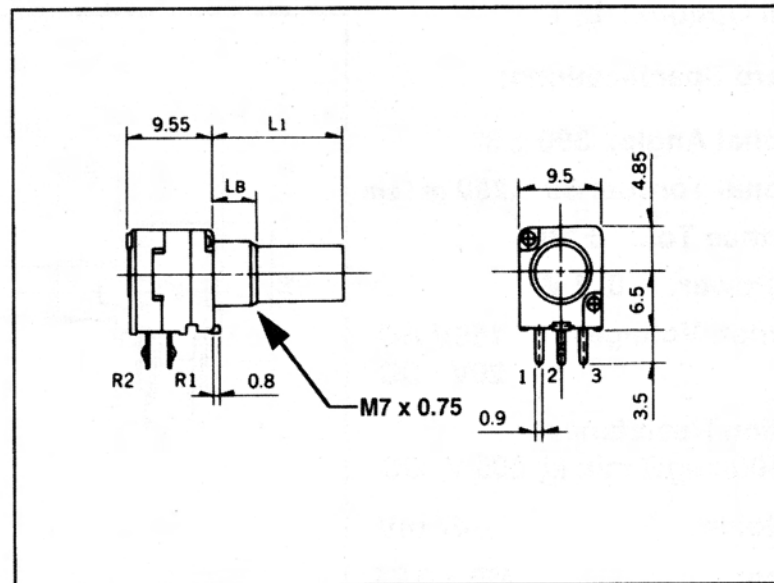
Standard Available Options: D
(indicates Center Detent)

Standard Specifications:

- Rotational Angle: $300 \pm 5^\circ$
- Rotational Torque: 20 ~ 250 gf / cm
- Resistance Tol.: $\pm 20\%$
- Rated Power: .05 W
- Max. Oper. Voltage: 50V AC
10V DC
- Insulation Resistance: 100megΩ min @ 250 V DC
- Slide Noise: $\leq 100\text{mV}$



Mounting Height: H = 6.5 mm



POTENTIOMETERS &

THERMOSTATS & ENCODERS