

Model 48

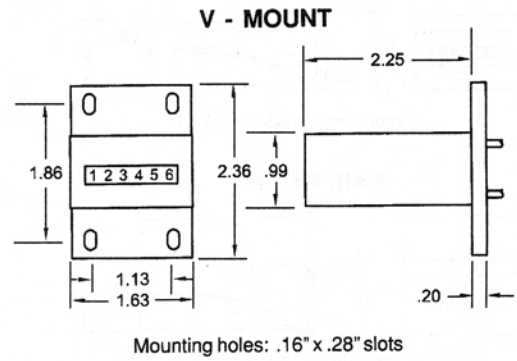
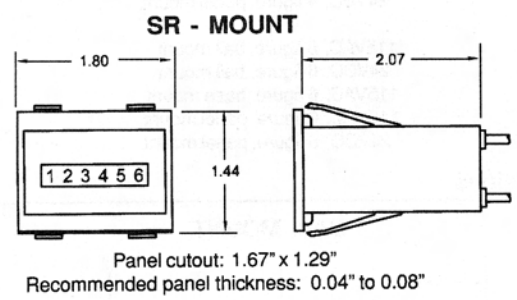
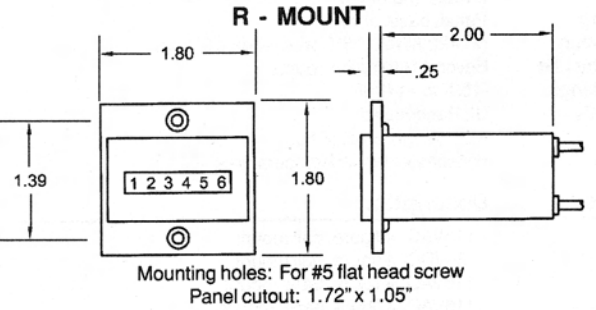
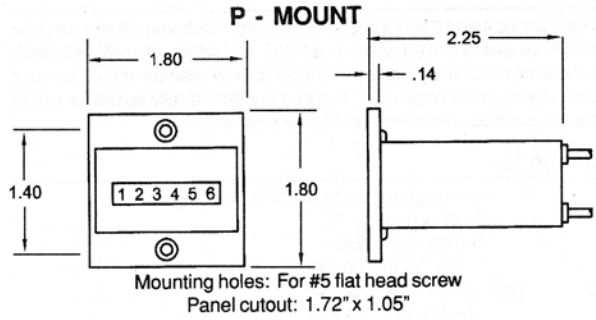
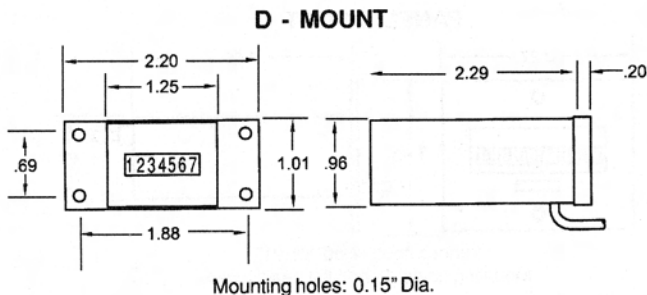

14

Features

A compact, inexpensive, 6 or 7 figure, non-reset, electromechanical counter designed for general purpose industrial and commercial counting applications. It is designed for a variety of mounting methods as required by the application. Commonly used for coin-operating equipment, photocopiers and vending machines.

Spec	Figures
Figures	6 or 7 figures, white on black, .17" high
Reset	None
Speed	1,000 counts/minute AC, (min. 30ms - on, 30ms - off) 1,200 counts/minute DC, (min. 25ms - on, 25ms - off)
Power	1.8 watts (nominal)
Mounting	Panel or base
Terminations	(2) #22 AWG 105°C wire leads, 12" long
Operating Life	Beyond 10 million counts
Temp. Range	-15°F to +140°F
Approvals	UL Recognized, CSA Certified
Weight	3.5 oz.
Options	Voltages, lead length, 5 figure

MODP2-4816	115VAC, 6 figures, P panel mount
P2-4816	115VAC, 6 figures, P panel mount
P8-4816	24VDC, 6 figures, P panel mount
R2-4816	115VAC, 6 figures, R panel mount
SR2-4816	115VAC, 6 figures, SR panel mount
SR8-4816	24VDC, 6 figures, SR panel mount
V2-4816	115VAC, 6 figures, V base mount
V3-4816	24VAC, 6 figures, V base mount
V8-4816	24VDC, 6 figures, V base mount
V9-4816	12VDC, 6 figures, V base mount
D8-4817	24VDC, 7 figures, D base mount
P2-4817	115VAC, 7 figures, P panel mount
P8-4817	24VDC, 7 figures, P panel mount
R8-4817	24VDC, 7 figures, R panel mount
SR8-4817	24VDC, 7 figures, SR panel mount
V2-4817	115VAC, 7 figures, V base mount
V8-4817	24VDC, 7 figures, V base mount

Dimensions


COUNTERS & METERS