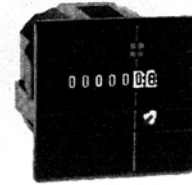
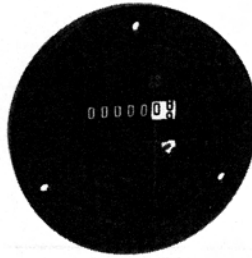


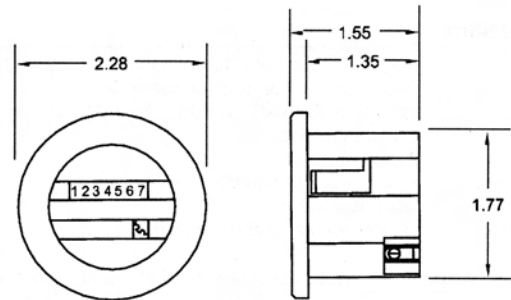
Model 711 / 731

Features

These 7 figure, AC or DC hourmeters with running indicators, offer crisp, distinctive styling for many panel applications. Available in square and round bezel, flush mount, or three-hole round panel mount. Each is light-weight, low power, and carry UL, CSA and CE approvals.

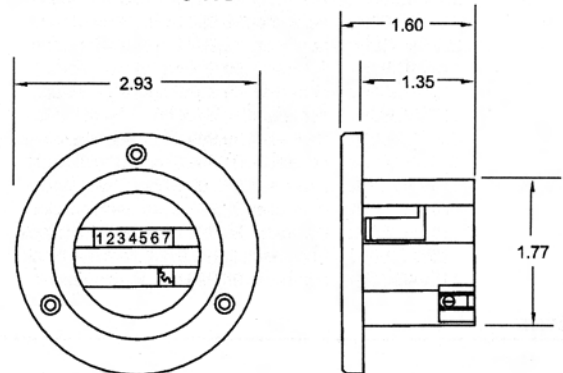
Specifications

Figures	7 figures, .14" high 99,999.99 hours
Reset	Non-reset
Voltages	24, 115, or 230VAC (+/-10%), 50 or 60Hz., 10-80 VDC
Power	3 watts (AC), 1.2 watt maximum (DC)
Mounting	Panel (mounting hardware included)
Terminations	1/4" spade terminals, with removable screws, or 8" wire leads
Temp. Range	-22°F to +158°F
Approvals	UL Recognized and CSA Certified (AC only), CE Approved
Weight	2 oz.
Options	Din Rail

Models	Description
711-0150	115VAC/60Hz., 2.28" Dia., Flush mount, screw termination
711-0152	230VAC/60Hz., 2.28" Dia., Flush mount, screw termination
711-0160	115VAC/60Hz., 2.93" Dia., 3-hole round, screw termination
711-0161	115VAC/50Hz., 2.93" Dia., 3-hole round, screw termination
711-0162	230VAC/60Hz., 2.93" Dia., 3-hole round, screw termination
711-0163	230VAC/50Hz., 2.93" Dia., 3-hole round, screw termination
711-0164	24VAC/60Hz., 2.93" Dia., 3-hole round, screw termination
711-0170	230VAC/60Hz., 2.93" Dia., 3-hole round, 8" wire leads
711-0171	115VAC/60Hz., 2.93" Dia., 3-hole round, 8" wire leads
711-0180	115VAC/60Hz., 1.89" Sq., Flush mount, screw termination
711-0182	24VAC/60Hz., 1.89" Sq., Flush mount, screw termination
711-0190	115VAC/60Hz., 2.05" Sq., Flush mount, screw termination
711-0191	230VAC/60Hz., 2.05" Sq., Flush mount, screw termination
711-0192	24VAC/60Hz., 2.05" Sq., Flush mount, screw termination
711-0193	115VAC/50Hz., 2.05" Sq., Flush mount, screw termination
711-0194	230VAC/50Hz., 2.05" Sq., Flush mount, screw termination
711-0195	24VAC/50Hz., 2.05" Sq., Flush mount, screw termination
711-0200	115VAC/60Hz., 2.20" Sq., Flush mount, screw termination
711-0201	115VAC/50Hz., 2.20" Sq., Flush mount, screw termination
731-0046	10-80VDC, 2.93" Dia., 3-hole round, screw termination

Dimensions
2.28" Dia. FLUSH


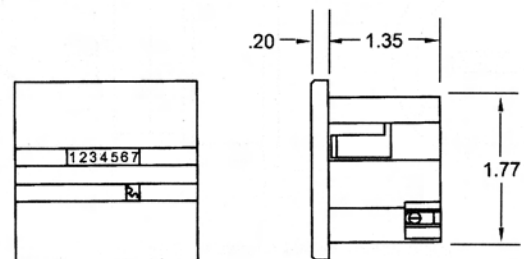
Panel cutout: 1.99" Dia. or 1.81" Sq.

3-HOLE ROUND


Panel cutout: 1.99" Dia. or 1.81" Sq.

Screws provided: 4-40 x 5/8"

Bolt hole circle: 2.44"

1.89", 2.05", or 2.20" Sq. FLUSH


Panel cutout: 1.99" Dia. or 1.81" Sq.