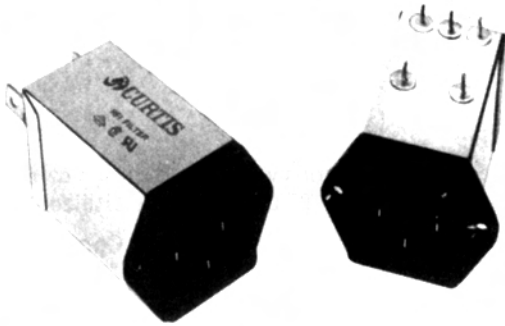


# F3300/F2600 RFI FILTERS


**FEATURES**

- General Purpose "L-Type" Circuit Effective in Reducing Both Incoming and Outgoing Powerline Noise Levels in FCC "A" Applications.
- Integral 5 x 20mm Fused IEC Connector.
- F3300 Series are Low-Leakage, UL 544 Approved Filters Suitable for Medical Applications.
- Both Series Available in Labor-Saving PC Mounted Case Style.

**SPECIFICATIONS**

Rated Voltage: 250VAC Max., 50/60 Hz.

Rated Current at:	<b>115VAC</b>	<b>250VAC</b>
	3A	3A
	6A	6A

Current Overload: 6X Rated for 8 Seconds

Maximum Operating Ambient Temperature at Rated Current: 40° C

Humidity Range: 0-95% R.H.

Insulation Resistance:  $9 \times 10^9$  ohms at 100VDC

Maximum Leakage Current

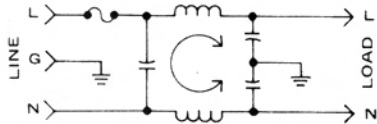
Each Line to Ground –		
at 115VAC, 60 Hz.:	0.25mA	.015mA
at 250VAC, 50 Hz.:	0.40mA	.025mA

Hipot Test (one minute) –

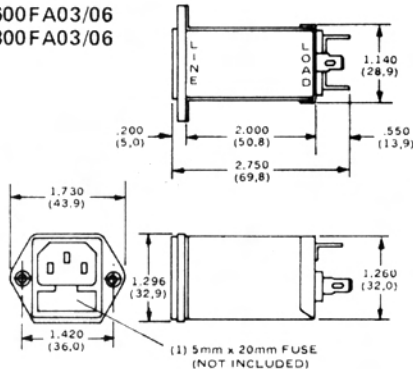
Line to Ground:	1500VAC	1500VAC
Line to Line:	1450VDC	1450VDC

**SAFETY AGENCY RECOGNITION/APPROVALS**

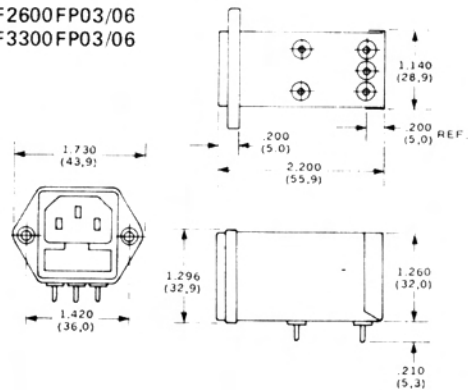

F2600 Units are Approved under VDE  
File No. 11722-4730-1008.

**SCHEMATIC**


F2600FA03/06  
F3300FA03/06



F2600FP03/06  
F3300FP03/06



Nominal Current Rating	Part Number	Termination Line/Load	MINIMUM INSERTION LOSS – dB (50 ohm Circuit)						
			MODE	Frequency – MHz					
				.15	.50	1.0	5.0	10	30
3A	F2600FA03	Fused IEC/QC	Common	21	35	41	50	50	50
	F2600FP03	Fused IEC/PC		Differential	8	18	24	40	50
	F3300FA03	Fused IEC/QC	Common	21	32	36	30	28	28
	F3300FP03	Fused IEC/PC		Differential	8	18	24	35	35
6A	F2600FA06	Fused IEC/QC	Common	18	34	41	45	45	45
	F2600FP06	Fused IEC/PC		Differential	8	18	24	40	50
	F3300FA06	Fused IEC/QC	Common	18	30	34	26	25	25
	F3300FP06	Fused IEC/PC		Differential	8	18	24	35	35

NOTE: Other combinations of terminals may be specified on special order.