

SPVQ6 Water-proof Type

Compact type with body size of 13.3×5.3×7mm



Detector

Slide

Push

Rotary

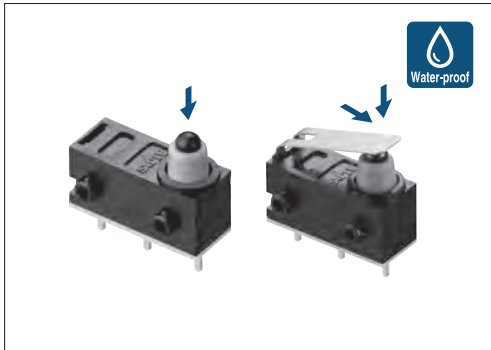
Power

Dual-in-line
Package Type

General-
purpose Type

Water-proof
Type

Fast Switching
Type



Typical Specifications

Items	Specifications		
	Standard type	With internal resistor type	
Rating (max.)/(min.) (Resistive load)	0.1A 12V DC / 50μA 5V DC		
Contact resistance (Initial / After operating life)	500mΩ max./1Ω max.		
Electrical output	—	—	
Operating force	Push type	Actuator type	
	1 ± 0.5N	3N max.	
Operating life	Without load	300,000cycles	
	With load	300,000cycles (0.1A 12V DC)	Respond individually

Product Line

Poles	Positions	Change over timing	Operating part shape	Terminal type	Main body form	Minimum order Unit (pcs.)		Product No.	Drawing No.
						Japan	Export		
1	2	Non shorting	Push	For PC board	Boss - right side	1,500	6,000	SPVQ640102	1
					Boss - left side			SPVQ640202	2
					Boss - right side			SPVQ630104	3
					Boss - left side			SPVQ630203	4
	Press-fit (normal type)		Without boss / Left bending	SPVQ6R *	5				
	1		Actuator						

Note

- *Resistance specifications for SPVQ6R (internal resistor type) will be accommodated individually. Please inquire.
- This unit cannot be used in water (IP67 rating, except for terminal).

Packing Specifications

Tray

Number of packages (pcs.)		Export package measurements (mm)
1 case /Japan	1 case /export packing	
1,500	6,000	540×360×270

Dimensions

Unit:mm

No.	Style
1	

Dimensions

Unit:mm

No.	Style
2	
3	
4	

Detector

Slide

Push

Rotary

Power

Dual-line Package Type

General-purpose Type

Water-proof Type

Fast Switching Type

SPVQ6 Water-proof Type

Detector

Slide

Push

Rotary

Power

Dual-in-line
Package Type

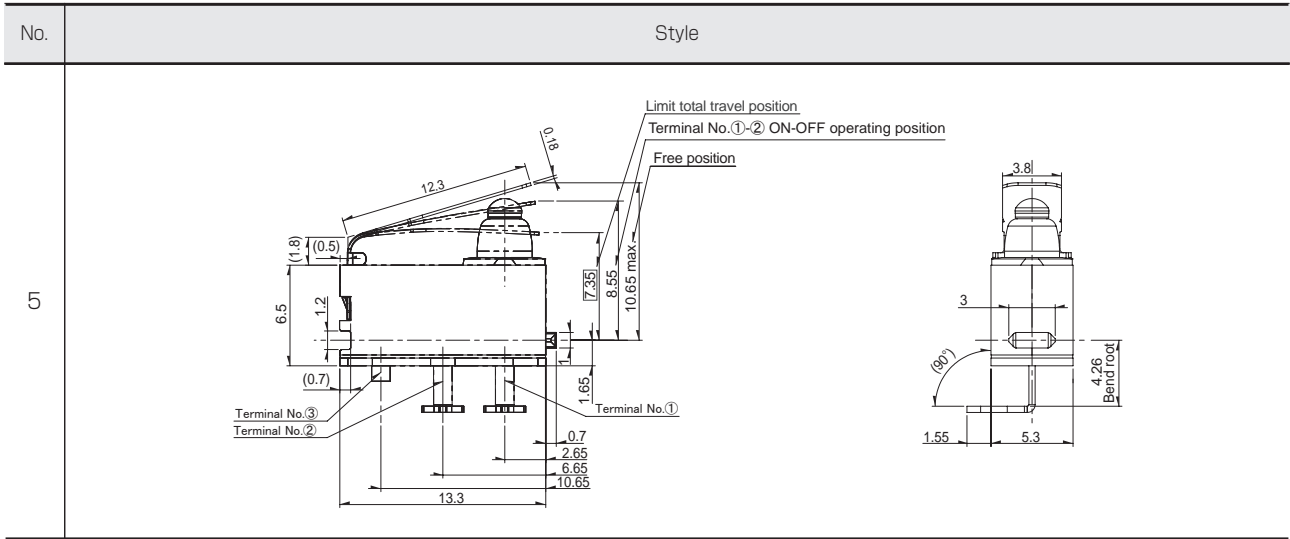
General-
purpose Type

Water-proof
Type

Fast Switching
Type

Dimensions

Unit:mm

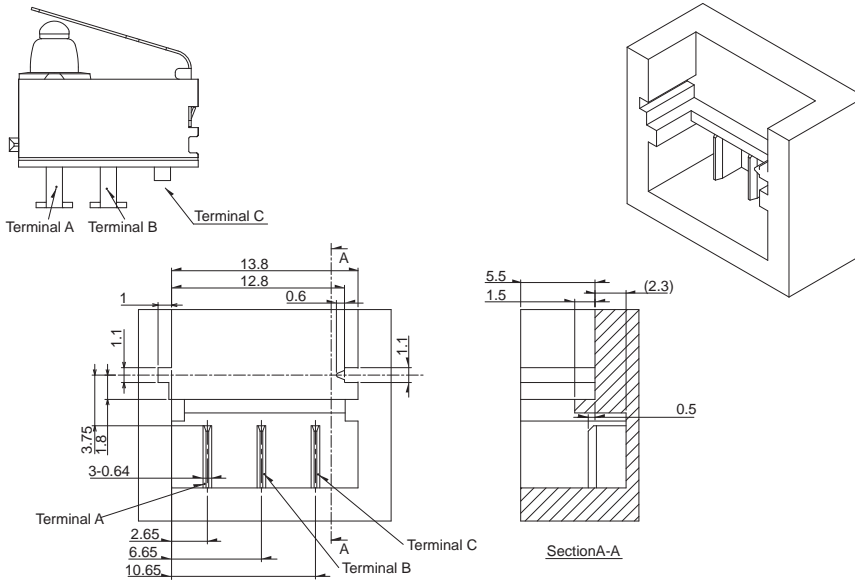


Recommended Unit Terminal Shape for Press-Fit Terminals (Normally Open)

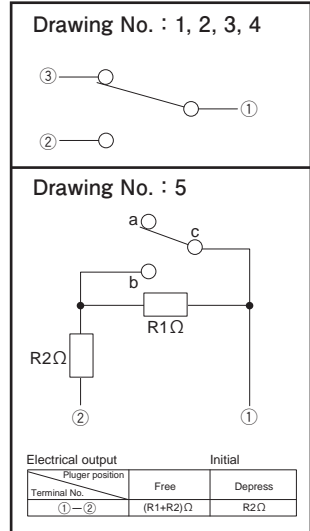
Unit:mm

Style

SPVQ6R

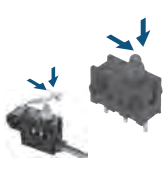
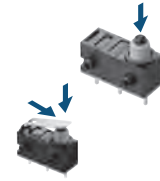
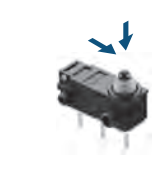
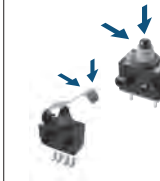








Circuit Diagram



Detector Switches

List of Varieties

Series		Water-proof Type				
		SPVQ3	SPVQ6	SPVQ7	SPVQ8	SPVQ8H
Photo						
Operation type		Two-way	One-way Two-way	Two-way		
Dimensions (mm)	W	13	13.3	14.7	8.3	14.8 17.95
	D	5.8	5.3	5.4	5.3	6.45
	H	8.35	7	6.7	6.5	14.5
Operating temperature range		-40°C to +85°C				
Automotive use		●	●	●	●	●
Life cycle (availability)						
Poles / Positions		1/1 1/2	1/2	1/1 1/2	1/1	
Rating (max.) (Resistive load)		0.1A 12V DC				
Rating (min.) (Resistive load)		50μA 5V DC				
Durability	Operating life without load	300,000cycles 1Ω max.			300,000cycles 1Ω max. or 1,000,000cycles 3Ω max.	100,000cycles 1Ω max.
	Operating life with load Rating (max.) (Resistive load)	300,000cycles 1Ω max.			300,000cycles 1Ω max. or 1,000,000cycles 3Ω max.	100,000cycles 1Ω max.
Electrical performance	Initial contact resistance	500mΩ max.				
	Insulation resistance	100MΩ min. 500V DC				
	Voltage proof	500V AC for 1minute				
Mechanical performance	Terminal strength	3N for 1minute (with terminal) Wire strength 30N for 1minute (with wire)	3N for 1minute		3N for 1minute (with terminal) Wire strength 30N for 1minute (with wire)	Wire strength 110N for 1minute
	Actuator strength	20N				
Environmental performance	Cold	-40°C 500h				
	Dry heat	85°C 500h				
	Damp heat	60°C, 90 to 95% RH 500h				
Operation force		1±0.5N 3N max.		1±0.5N	1±0.5N 3N max.	4.7N max.
Page		43	48	51	53	61

Detector Switches Soldering Conditions	68
Detector Switches Cautions	69

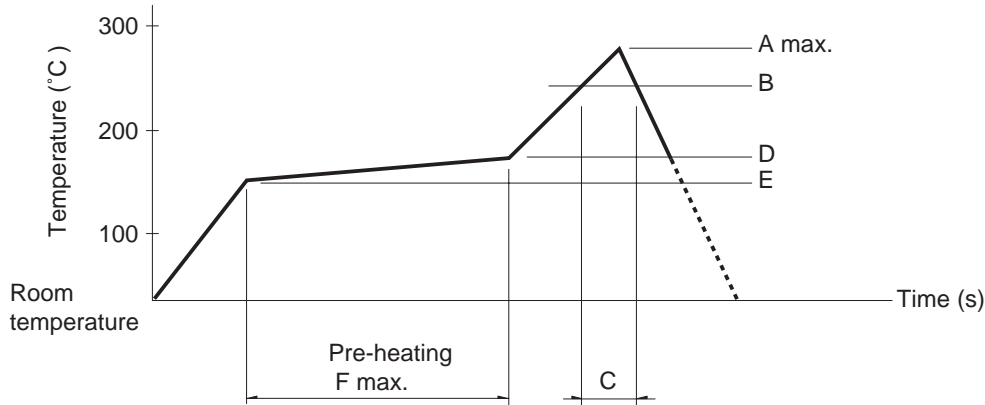
Note

● Indicates applicability to all products in the series.

Detector Switches / Soldering Conditions

Example of Reflow Soldering Condition

1. Heating method: Double heating method with infrared heater.
2. Temperature measurement: Thermocouple $\phi 0.1$ to 0.2 CA (K) or CC (T) at soldering portion (copper foil surface).
A heat resisting tape should be used for fixed measurement.
3. Temperature profile



Series (Reflow type)	A (°C) 3s max.	B (°C)	C (s)	D (°C)	E (°C)	F (s)
SPPB	260	230	40	180	150	120
SPVE						
SPVL						
SPVM						
SPVN						
SPVR						
SPVS						
SPVT						
SSCM						
SSCQ						
SPVQC	250					

Notes

1. The condition mentioned above is the temperature on the mounting surface of a PC board. There are cases where the PC board's temperature greatly differs from that of the switch, surface depending on the PC board's material, size, thickness, etc.
The above-stated conditions shall also apply to switch surface temperatures.
2. Soldering conditions differ depending on reflow soldering machines.
Prior verification of soldering condition is highly recommended.

Reference for Hand Soldering

Series	Soldering temperature	Soldering time
SPVS, SPVN, SPVT, SPVM, SPVR, SPVE, SSCQ, SSCM, SPVL, SSCT, SPVQC	350±5°C	3s max.
SPVQ3, SPVQ6, SPVQ7, SPVQ8, SPVQ9, SSCN, SPVQA	300±10°C	3 + 1 / 0s
SPPB (Reflow)	300±5°C	5s max.
SSCF, SPPB (For Lead, Dip)	350±10°C	3 + 1 / 0s

Reference for Dip Soldering

(For PC board terminal types)

Series	Items		Dip soldering	
	Preheating temperature	Preheating time	Soldering temperature	Duration of immersion
SSCT, SPVQ3, SPVQ6, SPVQ7, SPVQ8, SPVQ9, SPVQA	100±10°C	60s max.	260±5°C	5±1s
SPPW8, SPPB	100 °C max.	60s max.	255±5°C	5±1s
SSCF	—		260±5°C	5±1s