

Temp. Control/ Indicator Accessories

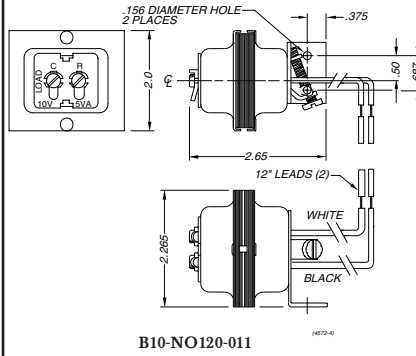
AMETEK NCC
National Controls Corp.

Phone 800-323-2593
630-231-5900
Fax 630-231-1377
Internet www.natcon.com
www.nationalcontrols.com

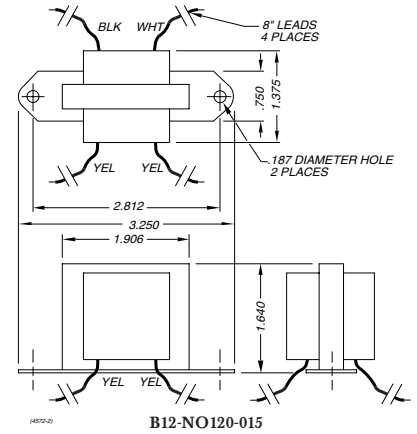
Ordering Information:

Dimensional Specifications Transformers and Enclosures

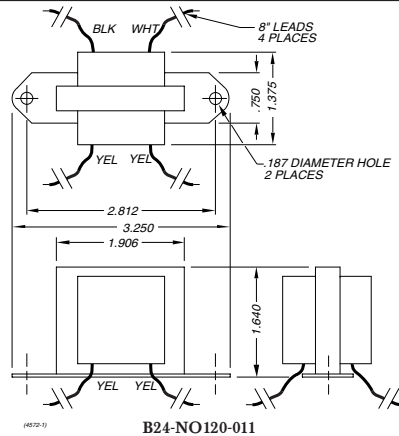
Description	Part Number
Transformer, 120 to 10 VAC, 5VA; 50/60	B10-NO120-011
Transformer, 120 to 12 VAC, 5VA; 50/60 Hz	B12-NO120-015
Transformer, 120 to 24 VAC, 5VA; 50/60 Hz	B24-NO120-011
Transformer, 240 to 24 VAC, 10VA; 50/60	B24-NO220-011



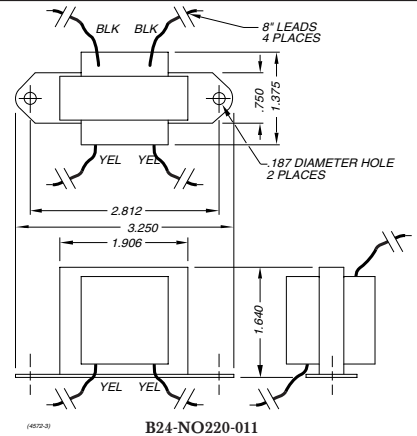
B10-NO120-011



B12-NO120-015

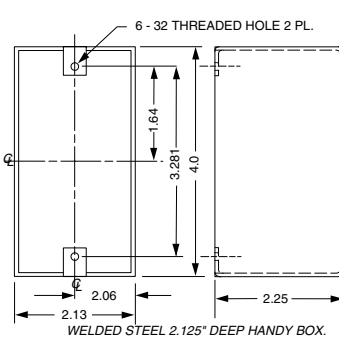


B24-NO120-011

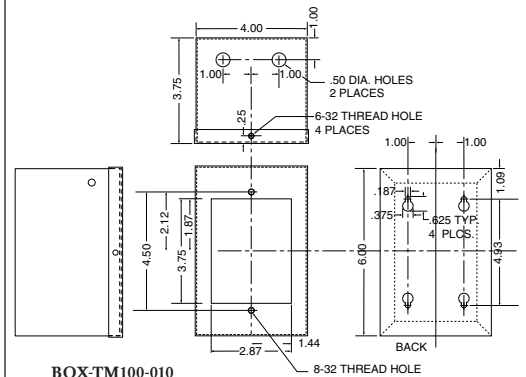


B24-NO220-011

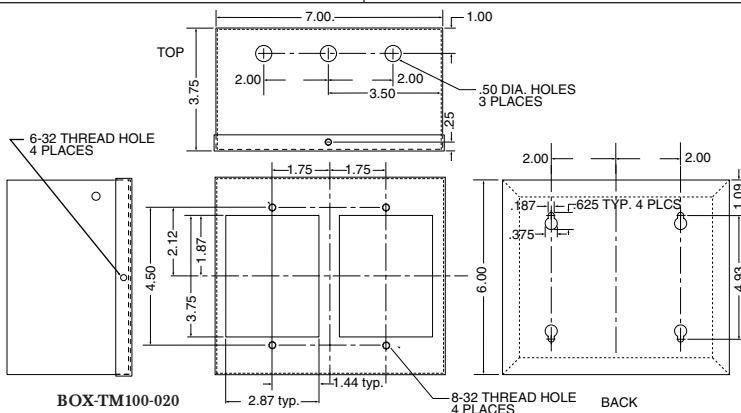
Description	Part Number
2" x 4" Utility Box	BOX-02/04-ELECT
Stainless Steel Box for One TM100	BOX-TM100-010
Stainless Steel Box for Two TM100's	BOX-TM100-020



BOX-02/04-ELECT



BOX-TM100-010



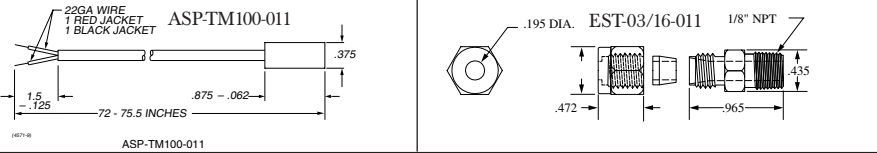
BOX-TM100-020

Temp. Control/ Indicator Accessories

Ordering Information: **Dimensional Specifications**

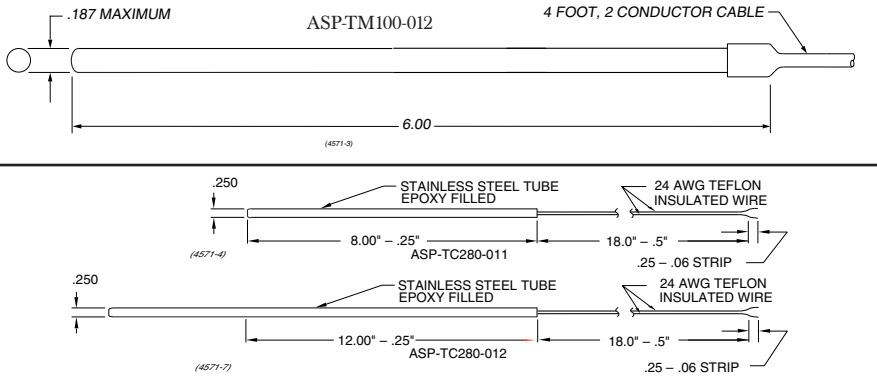
Description	Part Number
Refrigerator / Freezer Probe	ASP-TM100-011
Immersion Probe / Stainless Steel	ASP-TM100-012
Compression Fitting for ASP-TM100-012	EST-03/16-011

The temperature probes listed above can only be used on:
TNC-TM100, TNC-TM110, TNC-TM200 Series temperature indicators.



Description	Part Number
Temperature Transducer, 8\"/>	

The temperature transducers listed above can only be used on:
TNC-TC280 Series temperature controllers.



Description	Part Number
K Type Thermocouple, Bead Tip Probe, 6\"/>	

The K type thermocouple probes listed above can only be used on:
TNC-TC140, and TNC-TC142, Series temperature controllers.

