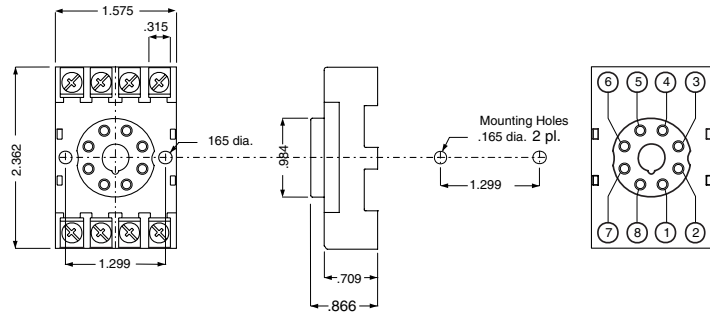


Liquid Level Control Accessories

Ordering Information:

Description	Part Number
8 Pin Circular Socket, DIN Rail Mountable	MSO-0008P-012

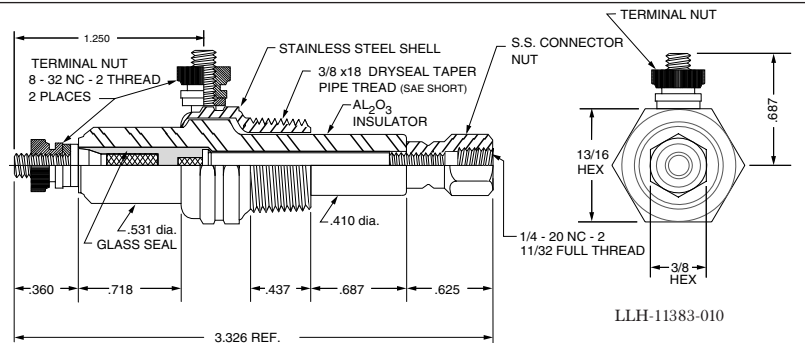
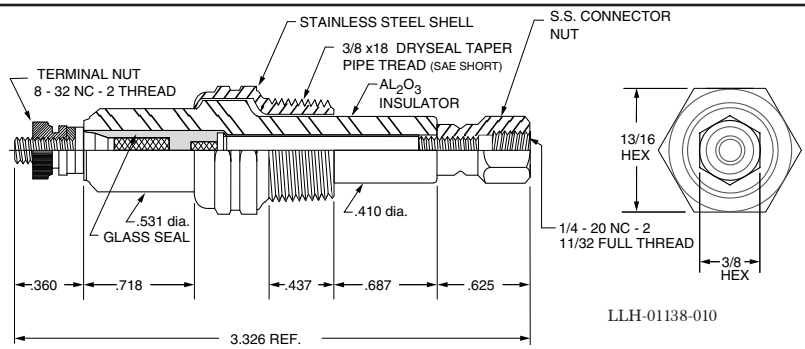
Dimensional Specifications



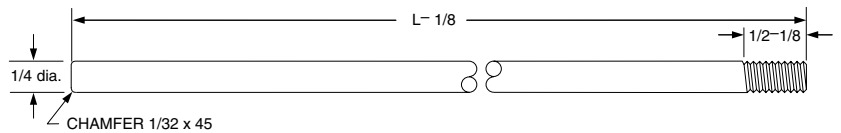
Description	Part Number
Probe Holder	LLH-01138-010
Probe Holder with Ground	LLH-11383-010

Metal parts are 300 series non-magnetic stainless steel. These internally conductive glass-seal probe holders will withstand up to 2500 PSI or 700°F.

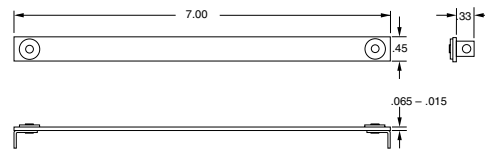
The probe holders are rated at 250 volts and can be used in steam applications up to 250 PSI.



Description	"L"	Part Number
Stainless Steel 6 Inch Probe	6	LLP-06.00-OSS
Stainless Steel 12 Inch Probe	12	LLP-12.00-OSS
Stainless Steel 24 Inch Probe	24	LLP-24.00-OSS



Description	Part Number
Hold-down Strap for Plug-In Level Sensors	ASY-STRAP-7.00L



Description	Part Number
Button Probe	LLP-001/2-011

