



IB05DS2R – IB10DS2R USB Series

5 - 10 Watts Interchangeable AC - DC Wall Plug-In
Energy Efficiency Level VI, RoHS 2 Compliant

Date: 7/20/16

Rev: 033116

Page: 1 of 3

The IB05DS2R – IB10DS2R Series switch mode power supply offers 5 - 10 Watts output power, with an output voltage of 5 Vdc. Wall Plug-In case style with interchangeable Input Plugs, enabling the unit to be used worldwide, with UL/cUL, EN and IEC 60950-1 2nd Edition safety approvals, and Energy Efficiency Level 6.

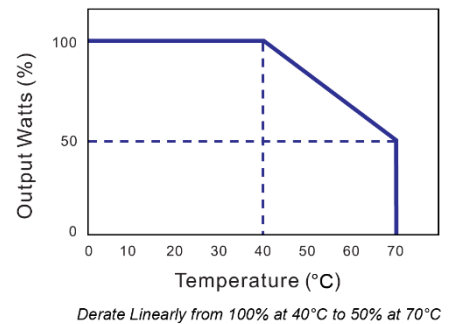


| | |
|---------------------------|--|
| Input Voltage | 90 to 264 Vac |
| Input Frequency | 47 to 63 Hz |
| Input Current | 0.45 A Max. |
| Inrush Current | 50 A Max. |
| Leakage Current | 0.25 mA Max. |
| Output Voltage & Current | See Table on Page 2 |
| Ripple & Noise (P-P) | 100 - 150 mV <i>Measured w/ 0.1 µF ceramic capacitor & 10 µF electrolytic capacitor in parallel</i> |
| Over-Current Protection | 120 – 200% |
| Over-Voltage Protection | 120 – 150% |
| Temperature Coefficient | ± 0.04% / °C Max |
| Dynamic Response Time | Load Change from 20% - 80%: 1 ms |
| Efficiency | Meets Energy Efficiency Level VI Criteria |
| No Load Power Consumption | Meets Energy Efficiency Level VI Criteria |
| Load Regulation | ± 5% Typ. |
| Start-up Time | 3 s Max. |
| Withstanding Voltage | Primary to Secondary: 4,242 Vdc Primary to Case: 4,242 Vdc |
| Mean Time Between Failure | Full Load at 25°C Ambient: 100,000 Hours Min. |
| Operating Temperature | See Derating Curve |
| Storage Temperature | -20°C to 80°C |
| Weight | 55 g (Ref.) |
| Industry Compliance | Directive 2011/65/EU (RoHS 2), Energy Efficiency Level VI |
| EMI Requirements | Meets Conduction and Radiation Limits of: FCC Part 15 Class B, CISPR-22 Class B, and EN 55022 Class B |
| Safety Compliance | UL/c-UL (UL 60950-1:2nd Edition), TUV/GS (EN 60950-1:2nd Edition) CB, CE, FCC, RCM |

Features:

- Universal Input 100 - 240 Vac
- Class II
- U.S. Flip-type prongs, with European, British, and Australian Input Plugs Available
- Over-Current, Over-Voltage and Short Circuit Protection
- 100% Burn-In
- RoHS 2 Compliant
- Energy Efficiency Level: VI

Derating Curve





IB05DS2R – IB10DS2R USB Series

5 - 10 Watts Interchangeable AC - DC Wall Plug-In
Energy Efficiency Level VI, RoHS 2 Compliant

Date: 7/20/16

Rev: 033116

Page: 2 of 3

Output Voltage and Current Table

| Model Number | Output Voltage | Output Current | Maximum Output Power |
|-----------------|----------------|----------------|----------------------|
| IB05DS2__05USBR | 5 Vdc | 1.00 A | 5 W |
| IB06DS2__05USBR | 5 Vdc | 1.20 A | 6 W |
| IB07DS2__05USBR | 5 Vdc | 1.40 A | 7 W |
| IB08DS2__05USBR | 5 Vdc | 1.60 A | 8 W |
| IB09DS2__05USBR | 5 Vdc | 1.80 A | 9 W |
| IB10DS2__05USBR | 5 Vdc | 2.00 A | 10 W |

IB DS2R 05USBR

Input Plug:

U = U.S. Plug (US)

E = European Plug (EU)

B = British Plug (UK)

A = Australian Plug (AU)

K = Kit with US, UK, EU,
and AU plug.

Output Power: See Table (Model Number)



IB05DS2R – IB10DS2R USB Series

5 - 10 Watts Interchangeable AC - DC Wall Plug-In
Energy Efficiency Level VI, RoHS 2 Compliant

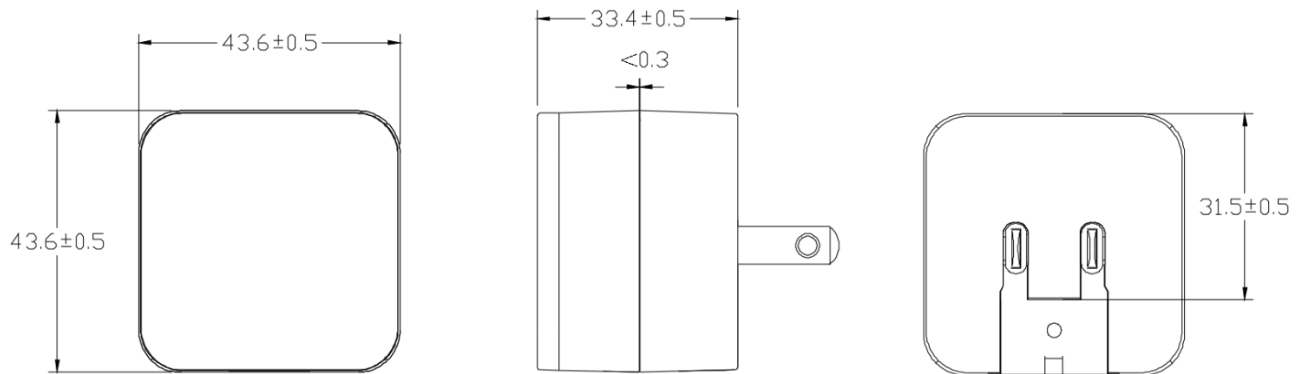
Date: 7/20/16

Rev: 033116

Page: 3 of 3

Mechanical Specification (mm)

U: Base with U.S. Flip-Type Prongs



| A | IBDS1AR | Australian Plug | B | IBDS1BR | British Plug |
|---|---------|-----------------|---|---------|--------------|
| | | | | | |
| E | IBDS1ER | European Plug | | | |
| | | | | | |

Note: The base design is with U.S. flip-type prongs. Additional input plugs are inserted into the base design. Input Plugs can also be purchased individually. USB output only.