



IB05Z Series

5 Watts

Date: 2/11/16

Interchangeable Wall Plug-In AC - DC Power Supply
DoE Level VI, RoHS 2 Compliant

Rev: 021116

Page: 1 of 3

The IB05Z Series is an ultra-efficient, wall plug-in style switch mode power supply, with 4 Interchangeable Input Plugs, enabling the unit to be used worldwide. It offers 5 Watts total output power with international safety approvals, and is tested to DoE Efficiency Level 6 Standard.

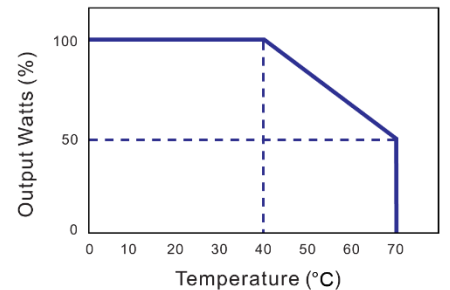


Input Voltage	90 to 264 Vac
Input Frequency	47 to 63 Hz
Input Current	0.15 A Max
Leakage Current	0.25 mA Max
Output Voltage & Current	See Table on Page 2
Ripple & Noise (P-P)	1% - 2% Max <i>Measured w/ 0.1 μF ceramic capacitor and 47 μF electrolytic capacitor in parallel</i>
Over-Voltage Protection	Auto Recovery
Over-Current Protection	Auto Recovery
Temperature Coefficient	$\pm 0.04\%$ / $^{\circ}$ C Max
Efficiency	Meets Energy Efficiency Level VI
No Load Power Consumption	0.1 Watts
Line Regulation	$\pm 1\%$ Max at Full Load
Load Regulation	$\pm 5\%$ Max
Start-Up Time	3s Max
Hold-Up Time	6 ms Min
Inrush Current	30 A at 25 $^{\circ}$ C Cold Start
Mean Time Between Failure	Full Load at 25 $^{\circ}$ C Ambient: 100,000 Hours Min
Operating Temperature	See Derating Curve
Storage Temperature	-20 to 65 $^{\circ}$ C
Industry Compliance	RoHS, Energy Efficiency Level VI
EMI Requirements	Meets Conduction Limits of: FCC Part 15 Class B, CISPR-22 Class B, VCCI Class B, and CNS 13438 Class B
Safety Compliance	UL/c-UL (UL 60950-1:2nd Edition), UL/GS (AS/NZS/IEC/EN 60950-1:2nd Edition), CB, CE, FCC, PSE, RCM
For 5V Model Only	UL/c-UL, UL/GS, CB, CE, FCC, PSE, RCM,BSMI

Features:

- Universal Input 100 - 240 Vac
- Available with U.S., European, British, and Australian Input Plugs
- Over-Voltage Protection
- Short Circuit Protection
- 100% Burn-In
- RoHS 2 Compliant
- DoE Efficiency Level VI

Derating Curve



Derate Linearly from 100% at 40 $^{\circ}$ C to 50% at 70 $^{\circ}$ C



Output Voltage and Current Table

Model Number	Output Voltage	Maximum Output Current	Maximum Output Power
IB05Z_05R*	5 Vdc	1.00 A	5 W
IB05Z_06R	6 Vdc	0.8 A	5 W
IB05Z_07R	7.5 Vdc	0.65 A	5 W
IB05Z_12R	12 Vdc	0.40 A	5 W
IB05Z_15R	15 Vdc	0.33 A	5 W
IB05Z_24R	24 Vdc	0.2 A	5 W

* 5V model available with USB Output



IB05Z□□□R

→ Output Voltage: See Table (Output Voltage)

→ Input Socket: U = U.S. Plug (US)
E = European Plug (EU)
B = British Plug (UK)
A = Australian Plug (AU)

For 5 Watts: IB05Z_05**USBF**
For 10 Watts: IB10Z_05**USBF**





IB05Z Series

5 Watts

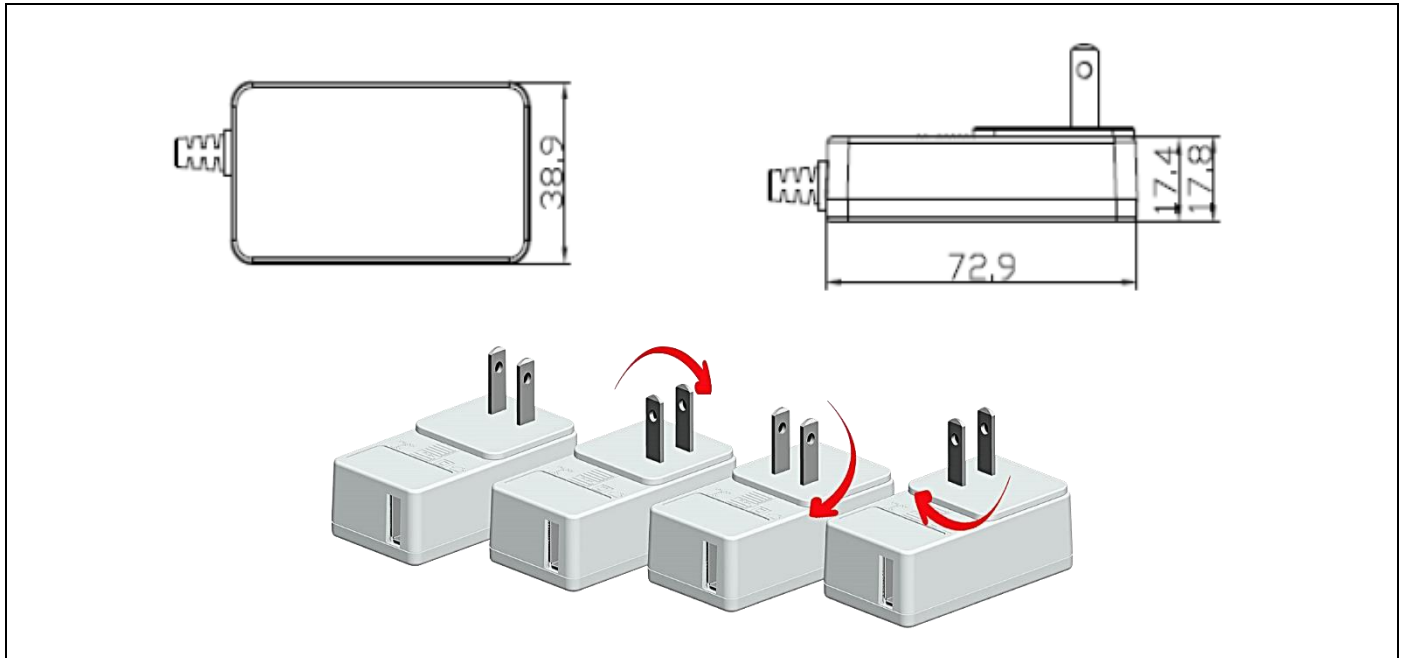
Interchangeable Wall Plug-In AC - DC Power Supply
DoE Level VI, RoHS 2 Compliant





Date: 2/11/16

Rev: 021116

Page: 3 of 3

Mechanical Specification (mm)



U IBZUR : U.S. Plug	E IBZER : European Plug
	
B IBZBR : British Plug	A IBZAR : Australian Plug
	

Note: Input Plugs can also be purchased individually.
 Output connector to be specified.
 The cable length and wire gauge will be dependent on Efficiency Level requirements for each current level.



TECHNOLOGIES INC.
HICKSVILLE, NEW YORK

264 Duffy Avenue
Hicksville, NY 11801

Tel: (516) 433-1313
Fax: (516) 433-1457

Web: www.apxonline.com
Email: sales@apxonline.com

Specification subject to
change without notice