



IB10D - IB36D Series 10 - 36 Watts

Interchangeable Wall Plug-In AC - DC Power Supply
Energy Efficiency Level V & VI, RoHS 2 Compliant

Date: 2/11/16

Rev: 021116

Page: 1 of 3

The IB10D - IB36D Series is an ultra-efficient, wall plug-in style switch mode power supply with 6 Interchangeable Input Plugs, enabling the unit to be used worldwide. It offers 10 Watts - 36 Watts output with international safety approvals, and is tested to Energy Efficiency Level 5 & 6 to meet future applications.

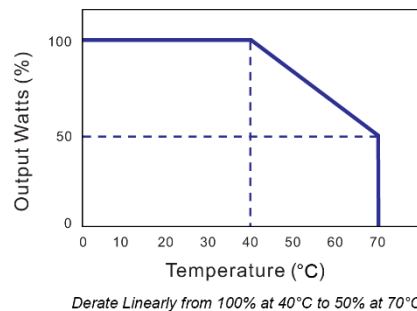


Input Voltage	90 to 264 Vac
Input Frequency	47 to 63 Hz
Input Current (Low Line)	1 A Max at 100 Vac
Input Current (High Line)	0.5 A Max at 240 Vac
Safety Ground Leakage Current	0.25 mA Max at 240 Vac, Full Load
Output Voltage & Current	See Table on Page 2
Ripple & Noise (P-P)	See Table
Over-Voltage Protection	150% Max
Short Circuit Protection	Auto-Recovery
Temperature Coefficient	± 0.04% / °C Max
Transient Response	50% Load Change at 100 Vac Input: 4 ms Max
Efficiency	Meets Energy Efficiency Level V & VI Criteria
No Load Power Consumption	Energy Efficiency Level V: ≤ 0.3 Watts Energy Efficiency Level VI: ≤ 0.1 Watts
Line Regulation	± 1% Max at Full Load
Load Regulation	± 5% Max at 230 Vac
Start-Up Time	3 s Max
Hold-Up Time	8.3 ms Min
Inrush Current	30 A @ 115 Vac Max at 25°C Cold Start 60 A @ 230 Vac Max at 25°C Cold Start
Withstanding Voltage	4242 Vdc between primary and secondary
Insulation Resistance	50 MΩ Min
Mean Time Between Failure	Full Load at 25°C Ambient: 100,000 Hours Min
Operating Temperature	See Derating Curve
Storage Temperature	-20 to 85 °C
Industry Compliance	Directive 2011/65/EU (RoHS 2), Energy Efficiency Level V & VI
EMI Requirements	Meets Conduction Limits of: FCC Part 15 Class B, CISPR-22 Class B and EN 55022 Class B
Safety Compliance	UL/CUL, TUV/GS, CB, CE, FCC, CCC

Features:

- Universal Input 100 - 240 Vac
- Available with U.S., European, British, Australian, China and South Africa/India Input Plugs
- Over-Voltage Protection
- Short Circuit Protection
- 100% Burn-In
- RoHS 2 Compliant
- Energy Efficiency Level: V, VI

Derating Curve



TECHNOLOGIES INC.
HICKSVILLE, NEW YORK

264 Duffy Avenue
Hicksville, NY 11801

Tel: (516) 433-1313
Fax: (516) 433-1457

Web: www.apxonline.com
Email: sales@apxonline.com

© Copyright 1978
APX Technologies, Inc.



Output Voltage and Current Table

Model Number	Output Voltage Range *	Maximum Output Current †	Maximum Output Power
IB10D_05R	5 Vdc	2.00 A	10 W
IB15D_05R	5 Vdc	3.00 A	15 W
IB15D_10R	10 Vdc	1.50 A	15 W
IB18D_06R	6 Vdc	3.00 A	18 W
IB18D_09R	9 Vdc	2.00 A	18 W
IB20D_ _ _ R	5 - 48 Vdc	4.00 - 0.41 A	20 W
IB24D_ _ _ R	6 - 24 Vdc	4.00 - 1.00 A	24 W
IB27D_ _ _ R	9 - 11 Vdc	3.00 - 2.45 A	27 W
IB30D_ _ _ R	12 - 24 Vdc	2.50 - 1.25 A	30 W
IB30D_ _ _ R	36 - 48 Vdc	0.83 - 0.63 A	30 W
IB36D_12R	12 Vdc	3.0 A	36 W
IB36D_24R	24 Vdc	1.5 A	36 W

* Output Voltages between ranges are also available.

† To find Output Current:

$$\text{Output Current} = \text{Max Power} \div \text{Output Voltage}$$

Example: Output Current for IB24D_12R
(12 Vdc Output)

$$\text{Output Current} = 24 \text{ W} \div 12 \text{ V}$$
$$\text{Output Current} = 2 \text{ A}$$

IB□□D□□□R

→ Output Voltage: See Table (Output Voltage)

→ Input Plug: U = U.S. Plug (US)
E = European Plug (EU)
B = British Plug (UK)
R = Australian Plug (AU)
C = China Plug (CN)
S = South Africa/India Plug (ZA)
K = Kit with US, UK, EU, and AU plug.

→ Output Power: See Table (Model Number)





IB10D - IB36D Series 10 - 36 Watts

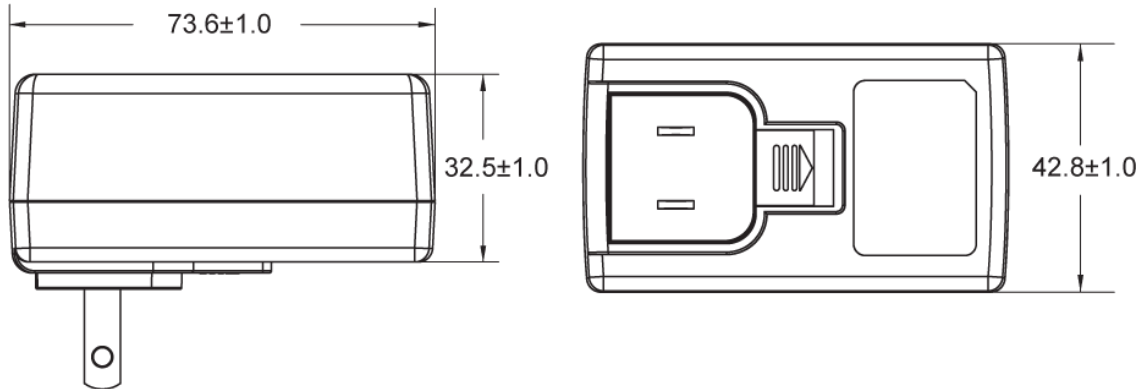
Interchangeable Wall Plug-In AC - DC Power Supply
 Energy Efficiency Level V & VI, RoHS 2 Compliant

Date: 2/11/16

Rev: 021116

Page: 3 of 3

Mechanical Specification (mm)



U	IBDUR	U.S. Plug	E	IBDER	European Plug	B	IBDBR	British Plug
A	IBDAR	Australian Plug	S	IBDSR	South Africa, India Plug	C	IBDCR	China Plug

Note: Input Plugs can also be purchased individually.
 Output connector to be specified.
 The cable length and wire gauge will be dependent on Energy Efficiency requirements for each current level.



TECHNOLOGIES INC.
 HICKSVILLE, NEW YORK

264 Duffy Avenue
 Hicksville, NY 11801

Tel: (516) 433-1313
 Fax: (516) 433-1457

Web: www.apxonline.com
 Email: sales@apxonline.com

© Copyright 1978
 APX Technologies, Inc.