



# IB25Q – IB36Q Series

25 – 36 Watt Interchangeable AC - DC Wall Plug-In  
UL/EN/IEC 62368-1 2<sup>nd</sup> Ed., DoE VI, CoC v5 Tier 2

Date: 9/27/18

Rev: 081318

Page: 1 of 3

The IB25Q – IB36Q Series switch mode power supply offers 25 Watts to 36 Watts output power, with an output voltage range of 5 Vdc - 48 Vdc. Wall Plug-In case style with interchangeable Input Plugs, enabling the unit to be used worldwide, with UL/cUL/EN/IEC 62368-1 2<sup>nd</sup> Edition and 60950-1 2<sup>nd</sup> Edition safety approvals, and DoE Level 6 and CoC v5 Tier 2.



<b>Input Voltage</b>	90 to 264 Vac
<b>Input Frequency</b>	47 to 63 Hz
<b>Input Current</b>	1.0 A Max.
<b>Inrush Current</b>	70 A @ 230Vac Max. at 25°C Cold Start
<b>Leakage Current</b>	0.25 mA Max.
<b>Output Voltage &amp; Current</b>	See Table on Page 2
<b>Ripple &amp; Noise (P-P)<sup>1</sup></b>	2% Max.
<b>Over-Voltage Protection</b>	Unit is protected from over-voltage conditions
<b>Over-Current Protection</b>	Unit is protected from over-current conditions
<b>Transient Response Time</b>	With 50% Load Change: 0.5 ms
<b>Efficiency</b>	Meets DoE Level VI and CoC v5 Tier 2 Criteria
<b>No Load Power Consumption</b>	Meets DoE Level VI and CoC v5 Tier 2 Criteria
<b>Load Regulation</b>	± 5% Typ.
<b>Hold-Up Time</b>	10 ms Min.
<b>Mean Time Between Failure</b>	Full Load at 25°C Ambient: 300,000 Hours Min. (Telcordia)
<b>Operating Temperature</b>	0 to 40°C
<b>Storage Temperature</b>	-20 to 80°C
<b>Weight</b>	160 g (Ref.)
<b>EMC Requirements</b>	EN 55024, EN 61000-3-2,-3-3
<b>EMI Requirements</b>	Meets Conduction and Radiation Limits of: FCC Part 15 Class B, CISPR-32 Class B, and EN 55032 Class B
<b>Industry Compliance</b>	RoHS 2, DoE VI, CoC v5 Tier 2
<b>Safety Compliance</b>	UL/cUL (UL/CSA 62368-1:2 <sup>nd</sup> Ed., 60950-1:2 <sup>nd</sup> Ed.), GS (EN 60950-1:2 <sup>nd</sup> Ed.), CB (EN/IEC 62368-1:2 <sup>nd</sup> Ed.), CE, BSMI, CCC, TUV, LPS, PSE, RCM

## Features:

- Universal Input 100 - 240 Vac
- Available with US, Europe, British, Australia and China Input Plugs
- Over-Voltage Protection
- Over-Current Protection
- Short Circuit Protection
- 100% Burn-In
- RoHS 2 Compliant
- DoE Level VI
- CoC v5 Tier 2

### Notes:

1. Ripple & Noise are measured with a 0.1 µF multilayer capacitor & 47 µF low ESR electrolytic capacitor in parallel and a 20 MHz bandwidth-limited scope



# IB25Q – IB36Q Series

25 – 36 Watt Interchangeable AC - DC Wall Plug-In  
UL/EN/IEC 62368-1 2<sup>nd</sup> Ed., DoE VI, CoC v5 Tier 2

Date: 9/27/18

Rev: 081318

Page: 2 of 3

## Output Voltage and Current Table

Model Number	Output Voltage	Output Current	Output Power
IB25Q_05R	5.0 Vdc	5.00 A	25 W
IB30Q_07R	7.5 Vdc	4.00 A	30 W
IB30Q_08R	8.5 Vdc	3.52 A	30 W
IB30Q_09R	9.0 Vdc	3.34 A	30 W
IB30Q_12R	12.0 Vdc	2.50 A	30 W
IB36Q_12R	12.0 Vdc	3.00 A	36 W
IB36Q_13R	13.5 Vdc	2.66 A	36 W
IB36Q_15R	15.0 Vdc	2.40 A	36 W
IB36Q_16R	16.0 Vdc	2.25 A	36 W
IB36Q_18R	18.0 Vdc	2.00 A	36 W
IB36Q_24R	24.0 Vdc	1.50 A	36 W
IB36Q_48R	48.0 Vdc	0.75 A	36 W

IB□□Q□□□R

Output Voltage: See Table (Output Voltage)

Input Plug: U = U.S. Plug (US)  
E = European Plug (EU)  
B = British Plug (UK)  
A = Australian Plug (AU)  
C = China Plug  
K = Kit with US, UK, EU,  
and AU plug.

Output Power: See Table (Model Number)



# IB25Q – IB36Q Series

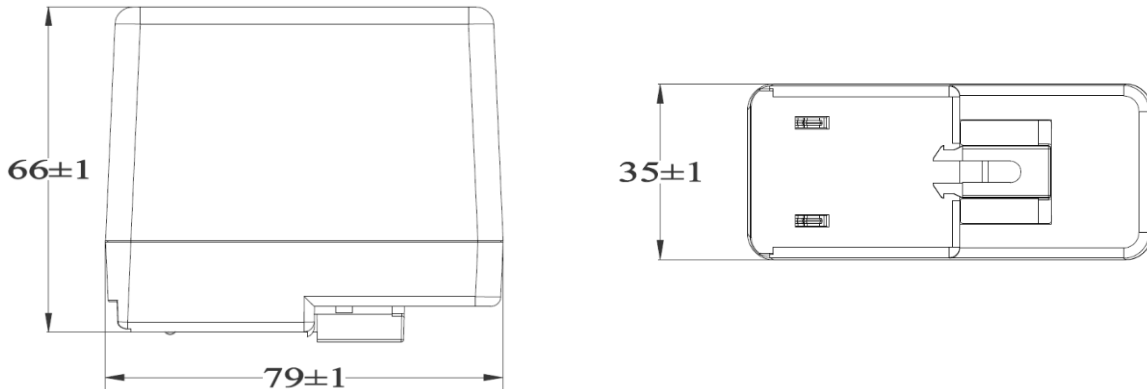
25 – 36 Watt Interchangeable AC - DC Wall Plug-In  
UL/EN/IEC 62368-1 2<sup>nd</sup> Ed., DoE VI, CoC v5 Tier 2

Date: 9/27/18

Rev: 081318

Page: 3 of 3

## Mechanical Specification (mm)



<b>U</b>	<b>IBQUR</b>	<i>US Plug</i>	<b>E</b>	<b>IBQER</b>	<i>Europe Plug</i>	<b>B</b>	<b>IBQBR</b>	<i>British Plug</i>
<b>A</b>	<b>IBQAR</b>	<i>Australia Plug</i>	<b>C</b>	<b>IBQCR</b>	<i>China Plug</i>			

Note: Output connector to be specified by customer.

APX will be happy to recommend the appropriate connector for your application needs.

The cable length and wire gauge will be dependent on the Energy Efficiency level requirements.