



IM10D - IM36D Series 10 - 36 Watts

UL, EN, IEC 60601-1 3rd Edition Medical Power Supply
Interchangeable Plug, Efficiency Level V & VI

Date: 2/11/16

Rev: 021116

Page: 1 of 3

The IM10D - IM36D Series is an ultra-efficient, wall plug-in style switch mode power supply with 6 Interchangeable Input Plugs, enabling the unit to be used worldwide. It offers 10 Watts - 36 Watts output with UL/cUL, IEC and EN 60601-1 3rd Edition safety approvals, and is tested to Energy Efficiency Level 5 & 6 to meet future applications.

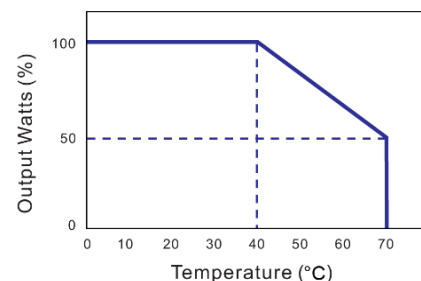


Input Voltage	90 to 264 Vac
Input Frequency	47 to 63 Hz
Input Current (Low Line)	1 A Max at 115 Vac
Input Current (High Line)	0.5 A Max at 230 Vac
Safety Ground Leakage Current	0.1 mA Max at 240 Vac, Full Load
Output Voltage & Current	See Table on Page 2
Ripple & Noise (P-P)	See Table on Page 2
Over-Voltage Protection	150% Max
Short Circuit Protection	Auto-Recovery
Temperature Coefficient	± 0.04% / °C Max
Dynamic Load Regulation	from 100% to 50% Load Change: ± 5% of Output Voltage
Efficiency	Meets Energy Efficiency V & VI Criteria
No Load Power Consumption	Energy Efficiency Level V: ≤ 0.3 Watts Energy Efficiency Level VI: ≤ 0.1 Watts
Line Regulation	± 1% Max at Full Load
Load Regulation	± 5% Max at 230 Vac
Start-Up Time	3 s Max
Hold-Up Time	8.3 ms Min
Inrush Current	30 A @ 115 Vac Max at 25°C Cold Start 60 A @ 230 Vac Max at 25°C Cold Start
Withstanding Voltage	4242 Vdc between primary and secondary
Insulation Resistance	50 MΩ Min
Mean Time Between Failure	Full Load at 25°C Ambient: 100,000 Hours Min
Operating Temperature	See Derating Curve
Storage Temperature	-20 to 85 °C
Industry Compliance	Directive 2011/65/EU (RoHS 2), Energy Efficiency Level V & VI
EMI Requirements	Meets Conduction Limits of: FCC Part 15 Class B, CISPR-22 Class B and EN 55022 Class B
Safety Compliance	ANSI/AAMI ES 60601-1:2005 (UR Listed 3rd Edition), EN 60601-1:2006 (TUV/T-mark 3rd Edition), CB, CE, FCC, CCC

Features:

- Universal Input 100 - 240 Vac
- Available with U.S., European, British, Australian, China and South Africa/India Input Plugs
- Over-Voltage Protection
- Short Circuit Protection
- 250 V, 2 A Input Fuse
- 100% Burn-In
- RoHS 2 Compliant
- Energy Efficiency Level: V, VI

Derating Curve



Derate Linearly from 100% at 40°C to 50% at 70°C



IM10D - IM36D Series 10 - 36 Watts

UL, EN, IEC 60601-1 3rd Edition Medical Power Supply
Interchangeable Plug, Efficiency Level V & VI

Date: 2/11/16

Rev: 021116

Page: 2 of 3

Output Voltage and Current Table

Model Number	Output Voltage Range *	Maximum Output Current †	Maximum Output Power
IM10D_05R	5 Vdc	2.00 A	10 W
IM15D_05R	5 Vdc	3.00 A	15 W
IM15D_10R	10 Vdc	1.50 A	15 W
IM18D_06R	6 Vdc	3.00 A	18 W
IM18D_09R	9 Vdc	2.00 A	18 W
IM20D_ __ R	5 - 48 Vdc	4.00 - 0.41 A	20 W
IM24D_ __ R	6 - 24 Vdc	4.00 - 1.00 A	24 W
IM27D_ __ R	9 - 11 Vdc	3.00 - 2.45 A	27 W
IM30D_ __ R	12 - 24 Vdc	2.50 - 1.25 A	30 W
IM30D_ __ R	36 - 48 Vdc	0.83 - 0.63 A	30 W
IM36D_12R	12 Vdc	3.0 A	36 W
IM36D_24R	24 Vdc	1.5 A	36 W

* Output Voltages between ranges are also available.

† To find Output Current:

Output Current = Max Power ÷ Output Voltage

Example: Output Current for IM24D_12R
(12 Vdc Output)

Output Current = 24 W ÷ 12 V

Output Current = 2 A

IM□□D□□□R

Output Voltage: See Table (Output Voltage)

Input Plug:

U = U.S. Plug (US)

E = European Plug (EU)

B = British Plug (UK)

R = Australian Plug (AU)

C = China Plug (CN)

S = South Africa/India Plug (ZA)

K = Kit with US, UK, EU,
and AU plug.

Output Power: See Table (Model Number)



TECHNOLOGIES INC.
HICKSVILLE, NEW YORK

264 Duffy Avenue
Hicksville, NY 11801

Tel: (516) 433-1313
Fax: (516) 433-1457

Web: www.apxonline.com
Email: sales@apxonline.com

© Copyright 1978
APX Technologies, Inc.



IM10D - IM36D Series 10 - 36 Watts

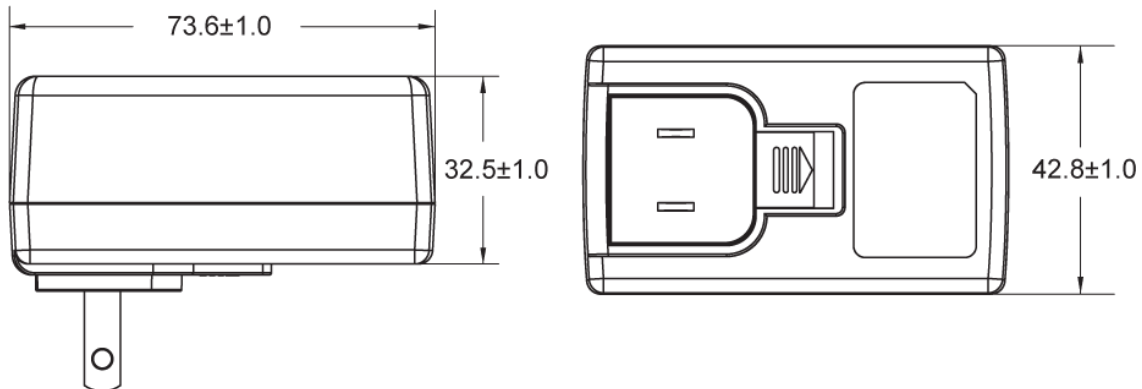
UL, EN, IEC 60601-1 3rd Edition Medical Power Supply
Interchangeable Plug, Efficiency Level V & VI

Date: 2/11/16

Rev: 021116

Page: 3 of 3

Mechanical Specification (mm)



U	IMDUR	<i>U.S. Plug</i>	E	IMDER	<i>European Plug</i>	B	IMDBR	<i>British Plug</i>
A	IMDAR	<i>Australian Plug</i>	S	IMDSR	<i>South Africa, India Plug</i>	C	IMDCR	<i>China Plug</i>

Note: Input Plugs can also be purchased individually.
Output connector to be specified.
The cable length and wire gauge will be dependent on Energy Efficiency requirements for each current level.



TECHNOLOGIES INC.
HICKSVILLE, NEW YORK

264 Duffy Avenue
Hicksville, NY 11801

Tel: (516) 433-1313
Fax: (516) 433-1457

Web: www.apxonline.com
Email: sales@apxonline.com

© Copyright 1978
APX Technologies, Inc.