



IM15 - IM36 Series 9 - 36 Watts

Date: 11/5/13

UL, EN, IEC 60601-1 3rd Edition Medical Interchangeable Plug AC - DC Power Supply

Rev: 041814

Page: 1 of 2

The IM15 - IM36 Series is a wall plug-in style medical switch mode power supply with Interchangeable Input Plugs, enabling the unit to be used worldwide. It offers 9 Watts - 36 Watts output with UL/cUL, IEC and EN 60601-1, 3rd Edition safety approvals.

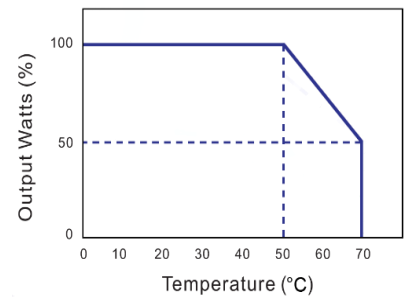


Input Voltage	90 to 264 Vac
Input Frequency	47 to 63 Hz
Input Current (Low Line)	1 A Max at 100 Vac
Input Current (High Line)	0.5 A Max at 240 Vac
Safety Ground Leakage Current	0.25 mA Max at 240 Vac, Full Load
Output Voltage & Current	See Table on Page 2
Ripple & Noise (P-P)	1.5% Max
Over-Voltage Protection	140% Max
Over-Current Protection	150% Max
Temperature Coefficient	± 0.04% / °C Max
Transient Response	50% Load Change at 100 Vac Input: 4 ms Max
Efficiency	Meets Energy Efficiency Level IV Criteria
No Load Power Consumption	≤ 0.5 Watts
Line Regulation	± 1% Max at Full Load
Load Regulation	± 5% Max at 230 Vac
Start-Up Time	3 s Max
Hold-Up Time	8.3 ms Min
Inrush Current	40 A @ 115 Vac Max at 25°C Cold Start 80 A @ 230 Vac Max at 25°C Cold Start
Mean Time Between Failure	Full Load at 25°C Ambient: 100,000 Hours Min
Operating Temperature	See Derating Curve
Storage Temperature	-20 to 85 °C
Industry Compliance	Directive 2011/65/EU (RoHS 2), Energy Efficiency Level IV
EMI Requirements	Meets Conduction Limits of: CISPR-11 Class B and EN 55011 Class B
Safety Compliance	ANSI/AAMI ES 60601-1:2005 (UR Listed 3rd Edition), CE

Features:

- Universal Input 100 - 240 Vac
- Available with U.S., U.K., European and Australian Input Plugs
- Over-Voltage, Over-Current, and Short Circuit Protection
- 100% Burn-In
- RoHS 2 Compliant
- CEC Efficiency Level: IV
- 2 MOPP Protection

Derating Curve



Derate Linearly from 100% at 50°C to 50% at 70°C



IM15 - IM36 Series 9 - 36 Watts

Date: 11/5/13

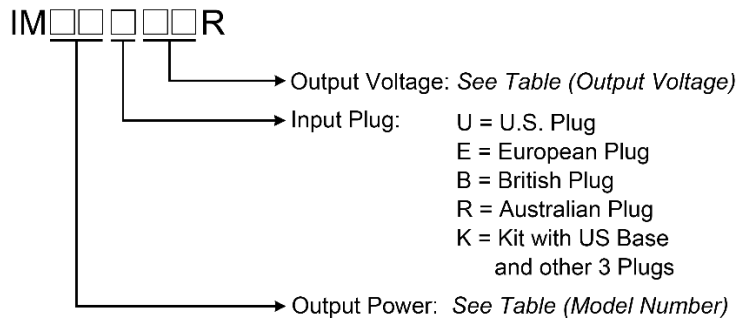
UL, EN, IEC 60601-1 3rd Edition Medical
Interchangeable Plug AC - DC Power Supply

Rev: 041814

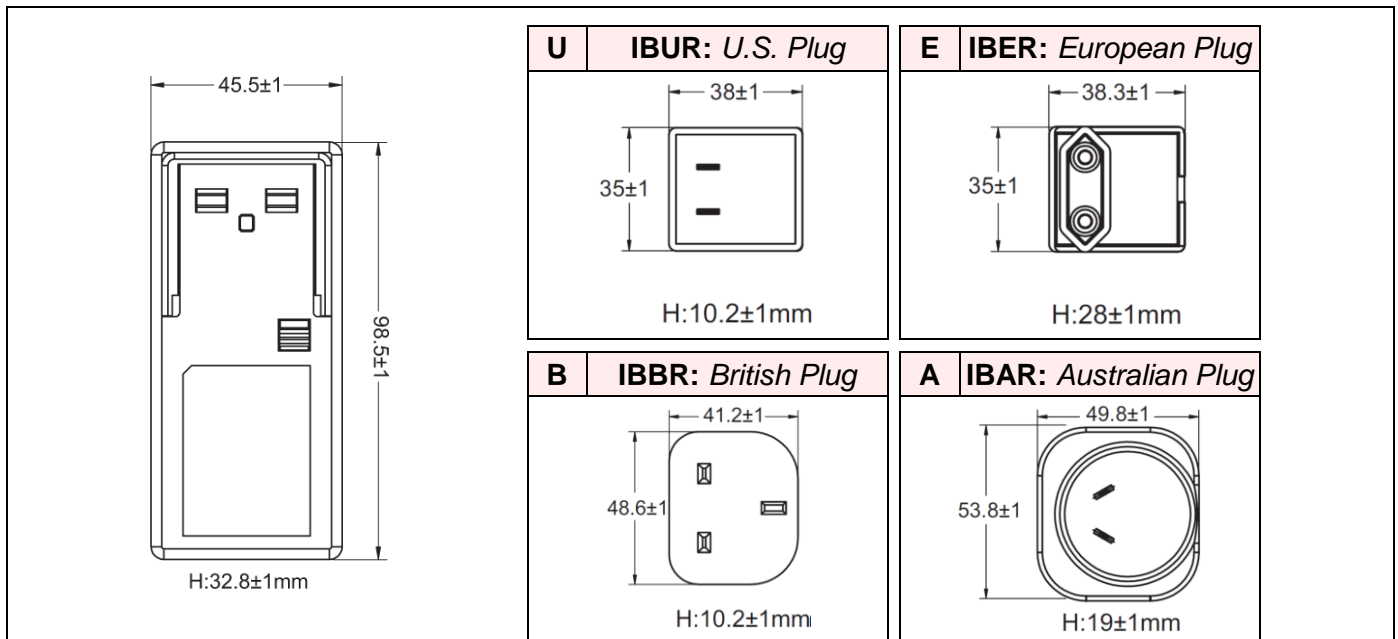
Page: 2 of 2

Output Voltage and Current Table

Model Number	Output Voltage Range	Maximum Output Current	Maximum Output Power
IM15_ _ _ R	9 - 15 Vdc	1.0 A	15 W
IM18_ _ _ R	9 - 15 Vdc	1.5 - 1.2 A	18 W
IM24_ _ _ R	9 - 15 Vdc	2.0 - 1.6 A	24 W
IM30_ _ _ R	9 - 15 Vdc	2.5 - 2.0 A	30 W
IM36_ _ _ R	9 - 15 Vdc	3.0 - 2.4 A	36 W



Mechanical Specification (mm)



Note: Input Plugs can also be purchased individually.
Output connector to be specified.
The cable length and wire gauge will be dependent on CEC requirements for each current level.



TECHNOLOGIES INC.
HICKSVILLE, NEW YORK

264 Duffy Avenue
Hicksville, NY 11801

Tel: (516) 433-1313
Fax: (516) 433-1457

Web: www.apxonline.com
Email: sales@apxonline.com

© Copyright 1978
APX Technologies, Inc.