

Features:

- Universal Input 100 – 240 VAC
- AC Input Range Auto-Selectable
- Low Leakage Current
- 2 VDC – 60 VDC Output
- Over-Current Protection
- Over-Voltage Protection
- 3 Mechanical Options
- RoHS Compliant



Input

Input Voltage	90 to 264 VAC
Input Frequency	47 to 63Hz
Input Current	6.0A Max at 115VAC 3.0A Max at 230VAC
Safety Ground Leakage Current	1.5mA Typ. @ 240VAC, Full Load

Output

Output Voltage & Current	<i>See Chart</i>
Ripple & Noise (P-P)	<i>See Chart</i>
Over-Voltage Protection	Unit Latching Down When Output Exceeds 130% and Recycle AC Input to Reset
Short-Circuit Protection	Protected to Short Circuit Conditions With Auto Recovery
Over-Current Protection	Set at 110 - 140% With Auto Recovery
Temperature Coefficient	± 0.04% / °C Max.
Transient Response	Returns to Within 1% in <2.5mS From Full Load to Half Load

Environmental

Operating Temperature	0°C to 50°C
Derating	Derated from 100% at +40°C Linearly to 60% at +50°C
Storage Temperature	-20°C to 85°C
Relative Humidity	5% to 95% Non-Condensing

Electrical

Efficiency	70% Minimum
Power Factor Correction	EN61000-3-2 Class A
Hold-Up Time	20mS Max.
Line Regulation	±5% Max. at Full Load
Inrush Current	35A @ 115VAC Max. 70A @ 230VAC Max. at 25°C Cold Start
Hi-Pot Test	3000 VDC from Primary to Secondary, 1500 VDC from Primary to Core
Insulation Resistance	50 MΩ Min. from Output to Ground
Mean Time Between Failure (MTBF)	100,000 Hours Min., Full Load at 30°C Ambient

Safety

EMI Requirements	Meets Conduction Limits of: (A) EN 55022 Class B (B) CISPR-22 Class B
Safety Standards	Meets or Exceeds: (A) UL (UL 60950-1) (B) C-UL (C) TUV (EN 60950-1) (D) CE (EN 55024) (E) CB (F) RoHS Compliant (G) EN 61000-3-2,3 (H) EN 61000-4-2,3,4,5,6,8,11



SAY250T2 Series

Multi Output, Switchmode Power Supply
Passive PFC, RoHS Compliant

Date: 5/18/09

Rev: 031806

Page: 2 of 5

Output Voltage and Current Chart

Model Number**	Output Voltages	Max. Output Power/Current		Ripple & Noise
		Type <u>U</u> & <u>C</u> (Forced Air) Type <u>F</u>	Type <u>U</u> & <u>C</u> (Convection)	
SAY250T260R	3.3 VDC	24 A	12 A	50mV
	12 VDC	12 A	7 A	1%
SAY250T267R	3.3 VDC	24 A	12 A	50mV
	24 VDC	6 A	4 A	1%
SAY250T250R	5 VDC	24 A	12 A	1%
	12 VDC	12 A	7 A	1%
SAY250T254R	5 VDC	24 A	12 A	1%
	24 VDC	6 A	4 A	1%
SAY250T268R	5 VDC	24 A	12 A	1%
	48 VDC	3 A	2 A	1%
SAY250T266R	12 VDC	12 A	7 A	1%
	24 VDC	6 A	4 A	1%

** To Determine Part Number:

- Repace "Y" with Desired Case Code:

Type U: U-Chassis @ 100 Watts Convection Cooling (135 Watts for SAY250T266R)

Type C: U-Chassis with Cover @ 100 Watts Max. Output with Convection Cooling (135 Watts for SAY250T266R)

Type F: Enclosed with Top Built-In Fan @ 200 Watts Max. Output Power (250 Watts for SAY250T266R)

- Conformal Coating (Optional): Order as SAY250T2XXCR
- Input/Output Connector: Avail. with Crimp Style PCB Header (I/P: 5-Pin, O/P: 8-Pin) or 3-Position Barrier Strip.
For Crimp Style PCB Header, Order as: SAY250T2XXR (Unchanged)
For 3-Position Barrier Strip, Order as: SAY250T2XXAR

Example: SAF250T2XXR indicates an Enclosed, Top Fan Case and Crimp Style PCB Header

SAU250T2XXACR indicates a U-Chassis Case, 3-Position Barrier Strip, and Conformal Coating

Pin Connection: SAY320T1XXR

Pin	Molex: 6-Pin Terminal
1	Output 2
2-5	Return
6-8	Output 1
Pin	Howder: 3-Pin Terminal
1	Output 2
2	Return
3	Output 1



TECHNOLOGIES INC.
HICKSVILLE, NEW YORK

• 264 Duffy Avenue
Hicksville, NY 11801

• Tel: (516) 433-1313
Fax: (516) 433-1457

• Web: www.apxonline.com
Email: sales@apxonline.com

• © Copyright 1978
APX Technologies, Inc.



SAY250T2 Series

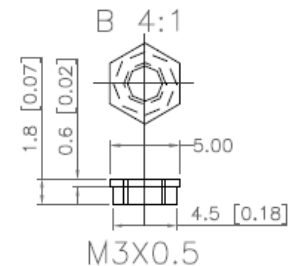
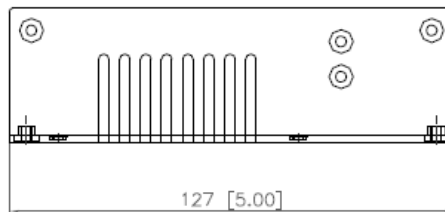
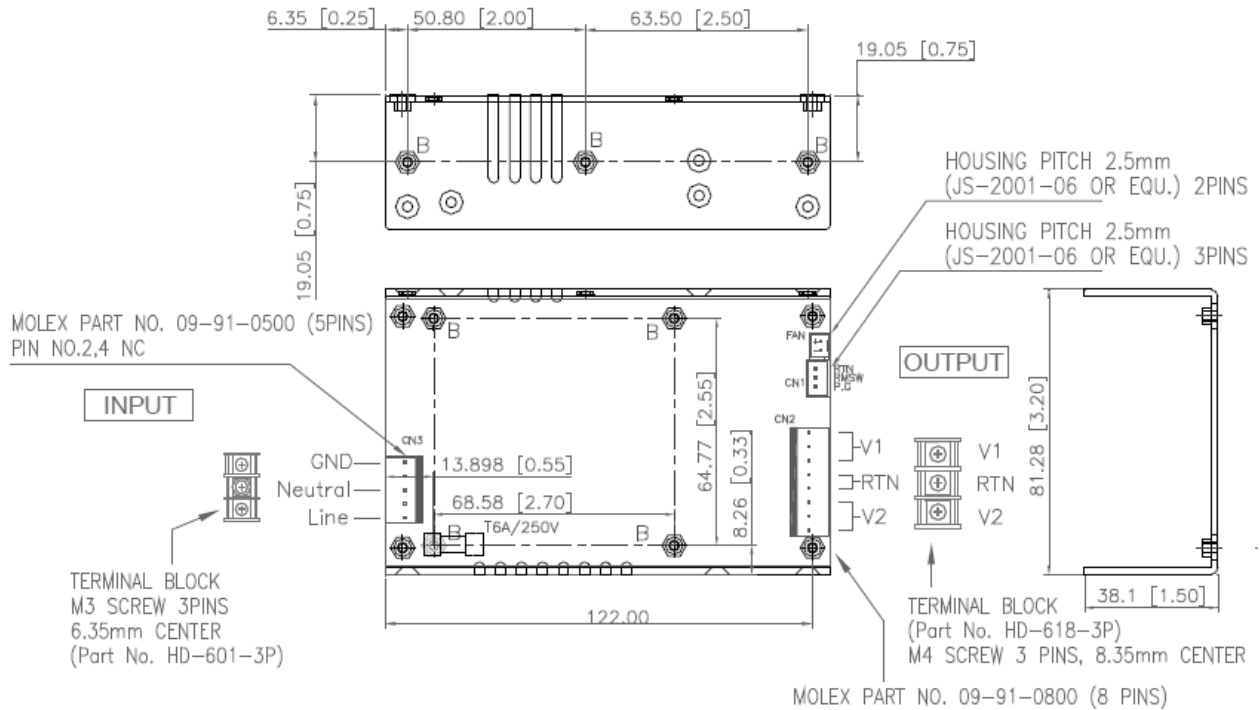
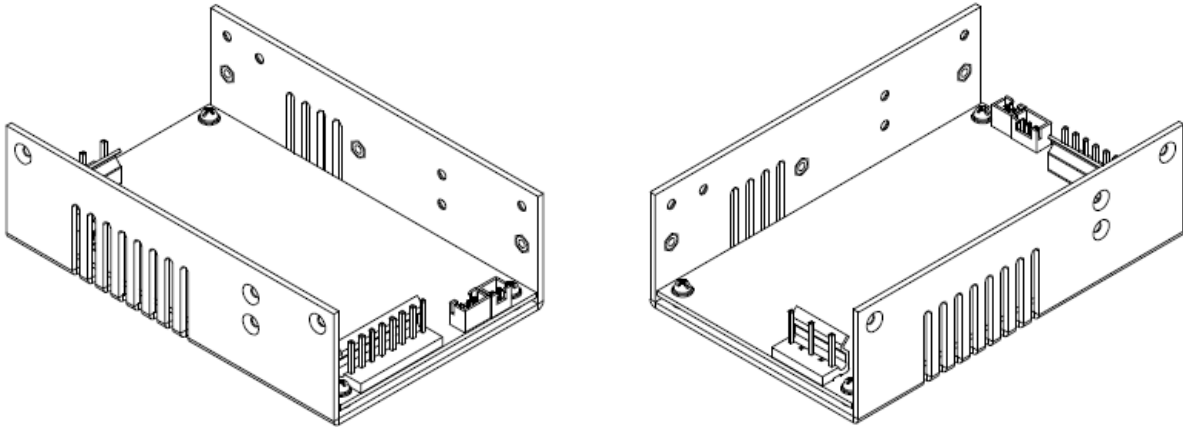
Multi Output, Switchmode Power Supply
Passive PFC, RoHS Compliant

Date: 5/18/09

Rev: 031806

Page: 3 of 5

Type **U**: U-Chassis Case
Order as: SA**U**250T2XXR



TECHNOLOGIES INC.
HICKSVILLE, NEW YORK

264 Duffy Avenue
Hicksville, NY 11801

Tel: (516) 433-1313
Fax: (516) 433-1457

Web: www.apxonline.com
Email: sales@apxonline.com

© Copyright 1978
APX Technologies, Inc.



SAY250T2 Series

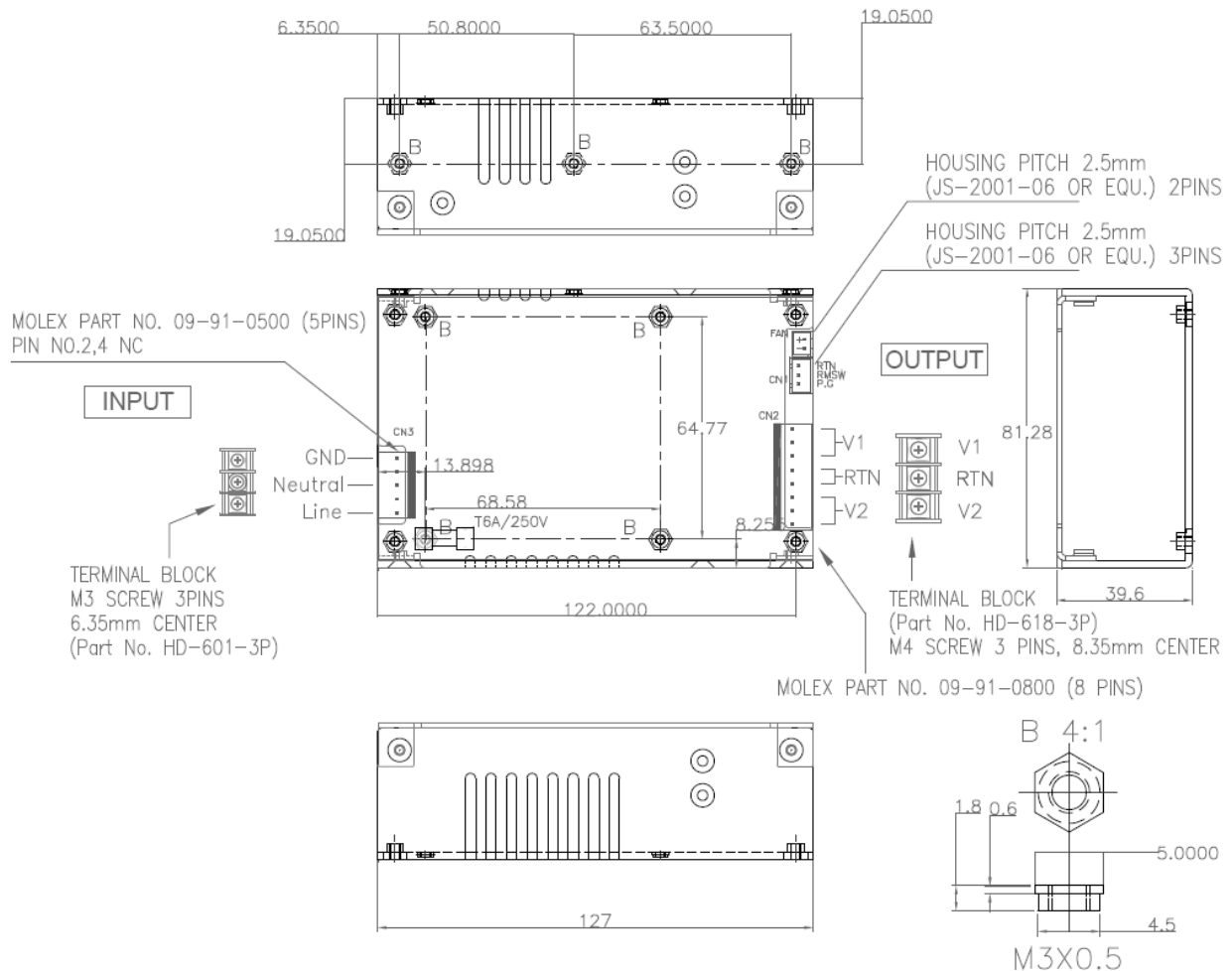
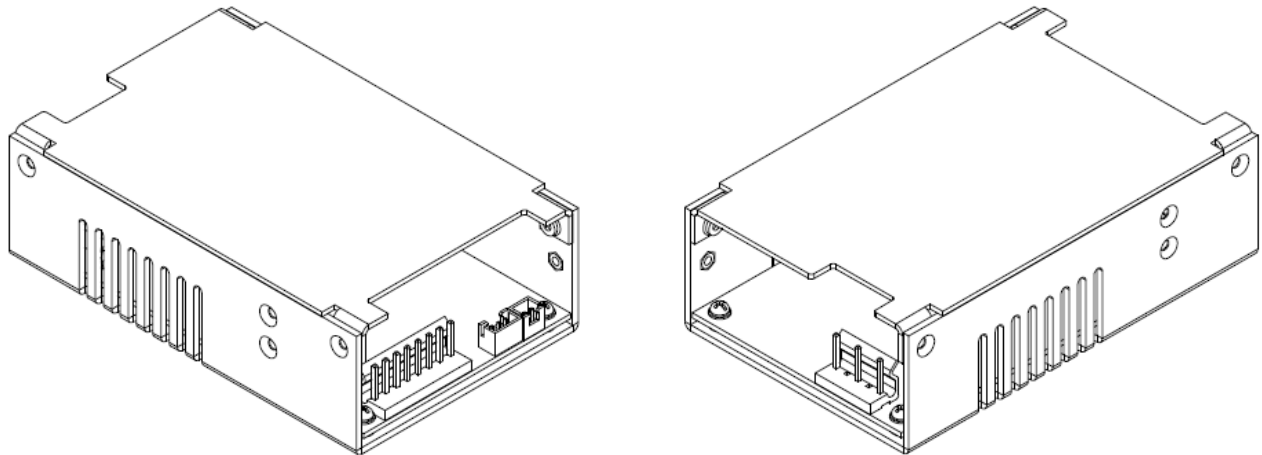
Multi Output, Switchmode Power Supply
Passive PFC, RoHS Compliant

Date: 5/18/09

Rev: 031806

Page: 4 of 5

Type **C**: U-Chassis Case w/ Cover
Order as: SAC250T2XXR



TECHNOLOGIES INC.
HICKSVILLE, NEW YORK

264 Duffy Avenue
Hicksville, NY 11801

Tel: (516) 433-1313
Fax: (516) 433-1457

Web: www.apxonline.com
Email: sales@apxonline.com

© Copyright 1978
APX Technologies, Inc.

Type **F**: Enclosed Case w/ Top Fan
Order as: SA**F**250T2XXR

