



Features:

- Wide Operating Range
- Internal EMI Filter
- Active Power Factor Correction
- Constant Current: 1.03 A – 5.45 A
- Over Voltage Protection
- Over Current Protection
- Class I
- RoHS Compliant



Input

Approved Input Voltage	100 to 277 VAC
Operating Input Voltage	90 to 264 VAC
Input Frequency	47 to 63 Hz
Input Current (Low Line)	1.0 A Max. at 100 VAC
Input Current (High Line)	0.4 A Max. at 240 VAC
Power Factor Correction	0.90 to 1.0
No Load Power Cons.	1 Watt Max.
Safety Ground Leakage Current	0.75 mA Max. at 240 VAC, Full Load

Output

Output Voltage & Current	See Chart
Ripple & Noise (P-P)	1% Max., Full Load at 90 VAC Input
Over Voltage Protection	Set at 103 - 105% of Nominal Output Current
Over Current Protection	Set at 103 - 105% of Nominal Output Current
Temperature Coefficient	± 0.04% / °C Max.
Transient Response	Full Load to Half Load @ 100 VAC Input: 4 mS Max.

Environmental

Operating Temperature	-20°C to 70°C
Derating	Derated Linearly from 100% at +60°C to 50% at 70°C
Storage Temperature	-40°C to 85°C
Relative Humidity	0% to 95% Non-Condensing

Electrical

Efficiency (at 230VAC)	84 to 90% at Full Load
Start-Up Time	1 Second Max.
Hold-Up Time	8 mS Min.
Line Regulation	0.5 to 1% Max. at Full Load
Load Regulation	3% Max. at 230 VAC
Inrush Current (at 25°C Cold Start)	35 A Max. at 115 VAC 70 A Max. at 230 VAC
Withstanding Voltage	4242 VDC from Pri. to Sec. 2121 VDC from Pri. to Gnd.
Isolation Resistance	50 MΩ Min. from O/P to Gnd
Mean Time Between Failure (MTBF)	100,000 Hours Min., Full Load at 25°C Ambient

Safety

Safety Standards	Meets or Exceeds:
	(A) UR Listed UL8750: 1st Edition
	(B) TUV/Bauart EN/IEC61347-1:2008 EN/IEC61347-2-13:2006
	(C) CE-EMC EN55015:2006 EN61547:1995+A1:2000
	(D) CB
	(E) IP67



SLD60PC LED Driver Power Supply

60 Watts Constant Current LED Driver
IP67 Rated Indoor/Outdoor Use, RoHS Compliant

Date: 11/12/12

Rev: 111212

Page: 2 of 3

Single Output Voltage and Current Chart

Model Number**	Output Current	Output Voltage	Max. Output Power
SLD60PC11R	5.45 A	6.6 - 11 VDC	60 W
SLD60PC12R	5.00 A	7.2 - 12 VDC	60 W
SLD60PC13R	4.61 A	7.8 - 13 VDC	60 W
SLD60PC14R	4.28 A	8.4 - 14 VDC	60 W
SLD60PC15R	4.00 A	9.0 - 15 VDC	60 W
SLD60PC16R	3.75 A	9.6 - 16 VDC	60 W
SLD60PC17R	3.52 A	10.2 - 17 VDC	60 W
SLD60PC18R	3.33 A	10.8 - 18 VDC	60 W
SLD60PC19R	3.15 A	11.4 - 19 VDC	60 W
SLD60PC20R	3.00 A	12.0 - 20 VDC	60 W
SLD60PC21R	2.85 A	12.6 - 21 VDC	60 W
SLD60PC22R	2.72 A	13.2 - 22 VDC	60 W
SLD60PC23R	2.60 A	13.8 - 23 VDC	60 W
SLD60PC24R	2.50 A	14.4 - 24 VDC	60 W
SLD60PC25R	2.40 A	15.0 - 25 VDC	60 W
SLD60PC26R	2.30 A	15.6 - 26 VDC	60 W
SLD60PC27R	2.22 A	16.2 - 27 VDC	60 W
SLD60PC28R	2.14 A	16.8 - 28 VDC	60 W
SLD60PC29R	2.06 A	17.4 - 29 VDC	60 W
SLD60PC30R	2.00 A	18.0 - 30 VDC	60 W
SLD60PC31R	1.93 A	18.6 - 31 VDC	60 W
SLD60PC32R	1.87 A	19.2 - 32 VDC	60 W
SLD60PC33R	1.81 A	19.8 - 33 VDC	60 W
SLD60PC34R	1.76 A	20.4 - 34 VDC	60 W

Single Output Voltage and Current Chart

Model Number**	Output Current	Output Voltage	Max. Output Power
SLD60PC35R	1.71 A	21.0 - 35 VDC	60 W
SLD60PC36R	1.66 A	21.6 - 36 VDC	60 W
SLD60PC37R	1.62 A	22.2 - 37 VDC	60 W
SLD60PC38R	1.57 A	22.8 - 38 VDC	60 W
SLD60PC39R	1.53 A	23.4 - 39 VDC	60 W
SLD60PC40R	1.50 A	24.0 - 40 VDC	60 W
SLD60PC41R	1.46 A	24.6 - 41 VDC	60 W
SLD60PC42R	1.42 A	25.2 - 42 VDC	60 W
SLD60PC43R	1.39 A	25.8 - 43 VDC	60 W
SLD60PC44R	1.36 A	26.4 - 44 VDC	60 W
SLD60PC45R	1.33 A	27.0 - 45 VDC	60 W
SLD60PC46R	1.30 A	27.6 - 46 VDC	60 W
SLD60PC47R	1.27 A	28.2 - 47 VDC	60 W
SLD60PC48R	1.25 A	28.8 - 48 VDC	60 W
SLD60PC49R	1.22 A	29.4 - 49 VDC	60 W
SLD60PC50R	1.20 A	30.0 - 50 VDC	60 W
SLD60PC51R	1.17 A	30.6 - 51 VDC	60 W
SLD60PC52R	1.15 A	31.2 - 52 VDC	60 W
SLD60PC53R	1.13 A	31.8 - 53 VDC	60 W
SLD60PC54R	1.11 A	32.4 - 54 VDC	60 W
SLD60PC55R	1.09 A	33.0 - 55 VDC	60 W
SLD60PC56R	1.07 A	33.6 - 56 VDC	60 W
SLD60PC57R	1.05 A	34.2 - 57 VDC	60 W
SLD60PC58R	1.03 A	34.8 - 58 VDC	60 W



TECHNOLOGIES INC.
HICKSVILLE, NEW YORK

264 Duffy Avenue
Hicksville, NY 11801

Tel: (516) 433-1313
Fax: (516) 433-1457

Web: www.apxonline.com
Email: sales@apxonline.com

© Copyright 1978
APX Technologies, Inc.



SLD60PC LED Driver Power Supply

60 Watts Constant Current LED Driver
IP67 Rated Indoor/Outdoor Use, RoHS Compliant

Date: 11/12/12

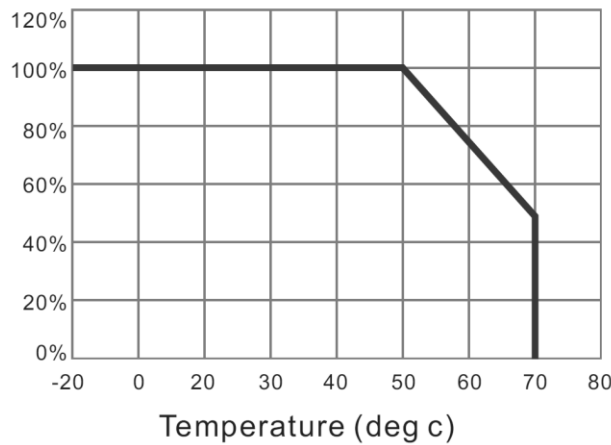
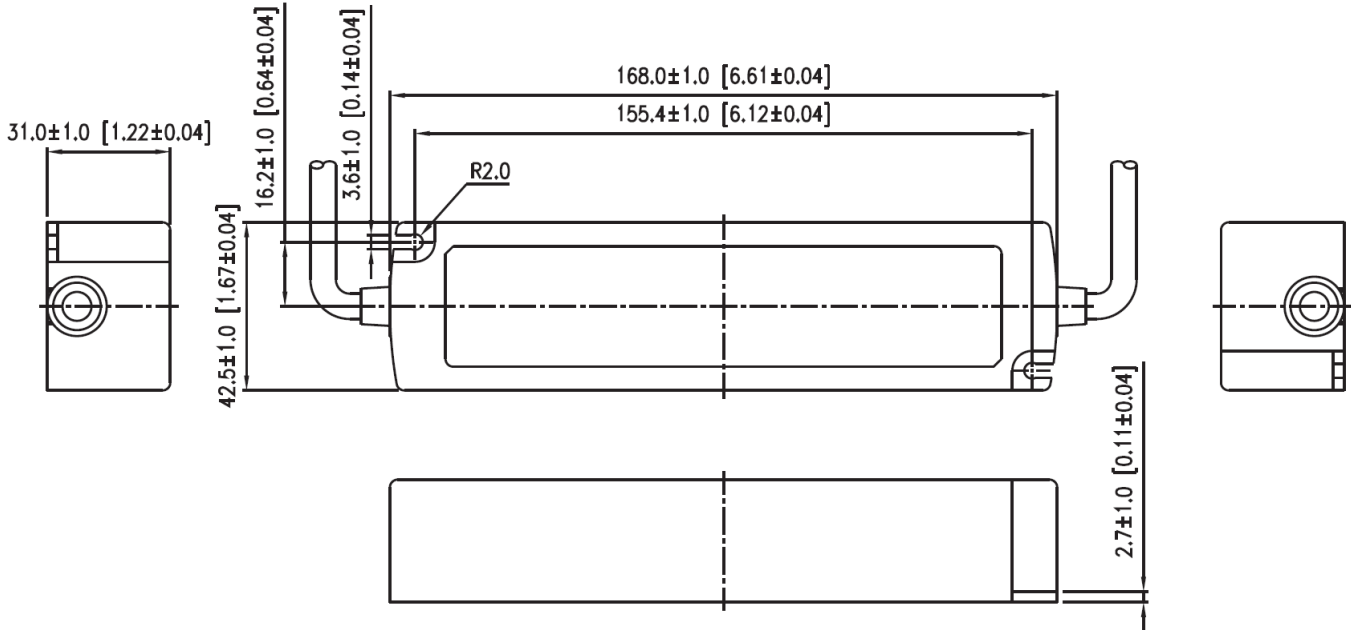
Rev: 111212

Page: 3 of 3

Note:

Input Connector: 1 ft. Cable, SJTW, 18AWGx3C

Output Connector: 1 ft. Cable, SJTW, 18AWGx2C



TECHNOLOGIES INC.
HICKSVILLE, NEW YORK

264 Duffy Avenue
Hicksville, NY 11801

Tel: (516) 433-1313
Fax: (516) 433-1457

Web: www.apxonline.com
Email: sales@apxonline.com

© Copyright 1978
APX Technologies, Inc.