



Features:

- Wide Operating Range
- Internal EMI Filter
- Active Power Factor Correction
- Constant Voltage: 11 – 58 VDC
- Over Voltage Protection
- Over Current Protection
- Class I
- RoHS Compliant



Input

Approved Input Voltage	100 to 240 VAC
Operating Input Voltage	90 to 264 VAC
Input Frequency	47 to 63 Hz
Input Current (Low Line)	1.0 A Max. at 100 VAC
Input Current (High Line)	0.4 A Max. at 240 VAC
Power Factor Correction	0.90 to 1.0
No Load Power Cons.	1 Watt Max.
Safety Ground Leakage Current	0.75 mA Max. at 240 VAC, Full Load

Output

Output Voltage & Current	See Chart
Ripple & Noise (P-P)	1% Max., Full Load at 90 VAC Input
Over Voltage Protection	Set at 103 - 105% of Nominal Output Current
Over Current Protection	Set at 140 - 180% of Nominal Output Current
Temperature Coefficient	± 0.04% / °C Max.
Transient Response	Full Load to Half Load @ 100 VAC Input: 4 mS Max.

Environmental

Operating Temperature	-20°C to 70°C
Derating	Derated Linearly from 100% at +60°C to 50% at 70°C
Storage Temperature	-40°C to 85°C
Relative Humidity	0% to 95% Non-Condensing

Electrical

Efficiency (at 230VAC)	84 to 90% at Full Load
Start-Up Time	1 Second Max.
Hold-Up Time	8 mS Min.
Line Regulation	0.5 to 1% Max. at Full Load
Load Regulation	3% Max. at 230 VAC
Inrush Current (at 25°C Cold Start)	35 A Max. at 115 VAC 70 A Max. at 230 VAC
Withstanding Voltage	4242 VDC from Pri. to Sec. 2121 VDC from Pri. to Gnd.
Isolation Resistance	50 MΩ Min. from O/P to Gnd
Mean Time Between Failure (MTBF)	100,000 Hours Min., Full Load at 25°C Ambient

Safety

Safety Standards	Meets or Exceeds:
	(A) UR Listed UL8750: 1st Edition
	(B) TUV/Bauart EN/IEC61347-1:2008 EN/IEC61347-2-13:2006
	(C) CE-EMC EN55015:2006 EN61547:1995+A1:2000
	(D) CB
	(E) IP67



SLD60PV LED Driver Power Supply

60 Watts Constant Voltage LED Driver
IP67 Rated Indoor/Outdoor Use, RoHS Compliant

Date: 12/21/12

Rev: 111212

Page: 2 of 3

Single Output Voltage and Current Chart

Model Number**	Output Voltage	Output Current	Max. Output Power
SLD60PV11R	11 VDC	0 - 5.45 A	60 W
SLD60PV12R	12 VDC	0 - 5.00 A	60 W
SLD60PV13R	13 VDC	0 - 4.61 A	60 W
SLD60PV14R	14 VDC	0 - 4.28 A	60 W
SLD60PV15R	15 VDC	0 - 4.00 A	60 W
SLD60PV16R	16 VDC	0 - 3.75 A	60 W
SLD60PV17R	17 VDC	0 - 3.52 A	60 W
SLD60PV18R	18 VDC	0 - 3.33 A	60 W
SLD60PV19R	19 VDC	0 - 3.15 A	60 W
SLD60PV20R	20 VDC	0 - 3.00 A	60 W
SLD60PV21R	21 VDC	0 - 2.85 A	60 W
SLD60PV22R	22 VDC	0 - 2.72 A	60 W
SLD60PV23R	23 VDC	0 - 2.60 A	60 W
SLD60PV24R	24 VDC	0 - 2.50 A	60 W
SLD60PV25R	25 VDC	0 - 2.40 A	60 W
SLD60PV26R	26 VDC	0 - 2.30 A	60 W
SLD60PV27R	27 VDC	0 - 2.22 A	60 W
SLD60PV28R	28 VDC	0 - 2.14 A	60 W
SLD60PV29R	29 VDC	0 - 2.06 A	60 W
SLD60PV30R	30 VDC	0 - 2.00 A	60 W
SLD60PV31R	31 VDC	0 - 1.93 A	60 W
SLD60PV32R	32 VDC	0 - 1.87 A	60 W
SLD60PV33R	33 VDC	0 - 1.81 A	60 W
SLD60PV34R	34 VDC	0 - 1.76 A	60 W

Single Output Voltage and Current Chart

Model Number**	Output Voltage	Output Current	Max. Output Power
SLD60PV35R	35 VDC	0 - 1.71 A	60 W
SLD60PV36R	36 VDC	0 - 1.66 A	60 W
SLD60PV37R	37 VDC	0 - 1.62 A	60 W
SLD60PV38R	38 VDC	0 - 1.57 A	60 W
SLD60PV39R	39 VDC	0 - 1.53 A	60 W
SLD60PV40R	40 VDC	0 - 1.50 A	60 W
SLD60PV41R	41 VDC	0 - 1.46 A	60 W
SLD60PV42R	42 VDC	0 - 1.42 A	60 W
SLD60PV43R	43 VDC	0 - 1.39 A	60 W
SLD60PV44R	44 VDC	0 - 1.36 A	60 W
SLD60PV45R	45 VDC	0 - 1.33 A	60 W
SLD60PV46R	46 VDC	0 - 1.30 A	60 W
SLD60PV47R	47 VDC	0 - 1.27 A	60 W
SLD60PV48R	48 VDC	0 - 1.25 A	60 W
SLD60PV49R	49 VDC	0 - 1.22 A	60 W
SLD60PV50R	50 VDC	0 - 1.20 A	60 W
SLD60PV51R	51 VDC	0 - 1.17 A	60 W
SLD60PV52R	52 VDC	0 - 1.15 A	60 W
SLD60PV53R	53 VDC	0 - 1.13 A	60 W
SLD60PV54R	54 VDC	0 - 1.11 A	60 W
SLD60PV55R	55 VDC	0 - 1.09 A	60 W
SLD60PV56R	56 VDC	0 - 1.07 A	60 W
SLD60PV57R	57 VDC	0 - 1.05 A	60 W
SLD60PV58R	58 VDC	0 - 1.03 A	60 W



TECHNOLOGIES INC.
HICKSVILLE, NEW YORK

264 Duffy Avenue
Hicksville, NY 11801

Tel: (516) 433-1313
Fax: (516) 433-1457

Web: www.apxonline.com
Email: sales@apxonline.com

© Copyright 1978
APX Technologies, Inc.



SLD60PV LED Driver Power Supply

60 Watts Constant Voltage LED Driver
IP67 Rated Indoor/Outdoor Use, RoHS Compliant

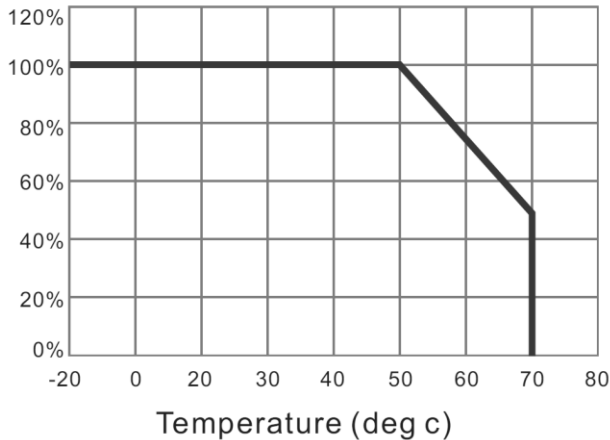
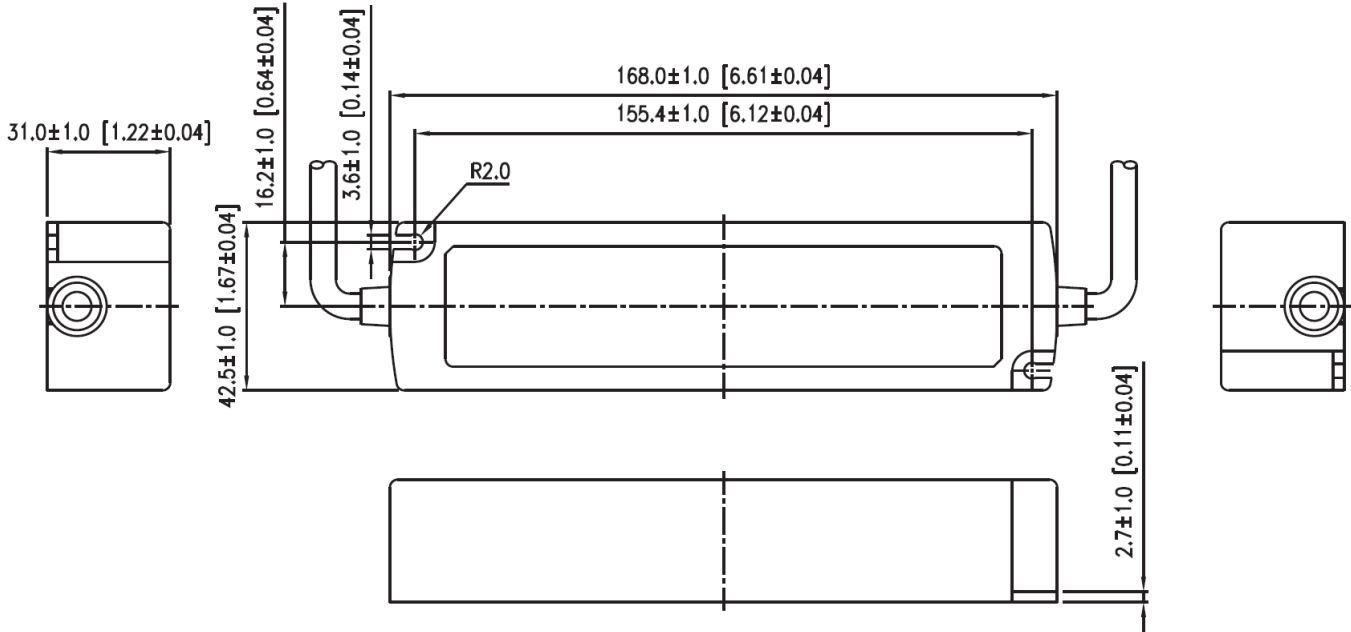
Date: 12/21/12

Rev: 111212

Page: 3 of 3

Note:

Input Connector: 1 ft. Cable, SJTW, 18AWGx3C
Output Connector: 1 ft. Cable, SJTW, 18AWGx2C



TECHNOLOGIES INC.
HICKSVILLE, NEW YORK

264 Duffy Avenue
Hicksville, NY 11801

Tel: (516) 433-1313
Fax: (516) 433-1457

Web: www.apxonline.com
Email: sales@apxonline.com

© Copyright 1978
APX Technologies, Inc.