



SM15DY - SM36DY 15 - 36 Watts

UL, EN, IEC 60601-1 3rd Edition Medical
15 - 36 Watt AC - DC Power Supply

Date: 2/11/16

Rev: 021116

Page: 1 of 3

The SM15DY - SM36DY Series medical switch mode power supply offers 15 Watts to 36 Watts output power, with an output voltage range 9 Vdc - 15 Vdc. Case styles included 2-prong and 3-prong wall plug-in, or desktop enclosure with choice of IEC-320 C6, C8, or C14 input socket, with UL, cUL, IEC and EN60601-1, 3rd Edition safety approvals.

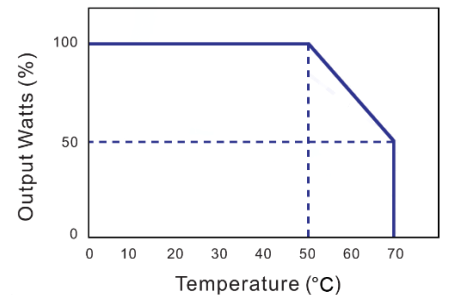


Input Voltage	90 to 264 Vac
Input Frequency	47 to 63 Hz
Input Current (Low Line)	1 A Max at 110 Vac
Input Current (High Line)	0.5 A Max at 220 Vac
Safety Ground Leakage Current	0.3 mA Max
Touch Leakage Current	0.1 mA Max
Output Voltage & Current	See Table on Page 2
Ripple & Noise (P-P)	1.5% Max
Over-Voltage Protection	150% Max
Over-Current Protection	110 - 180% Max
Temperature Coefficient	± 0.04% / °C Max
Transient Response	50% Load Change at 100 Vac Input: 4 ms Max
Efficiency	Meets Energy Efficiency Level V Criteria
No Load Power Consumption	≤ 0.3 Watts
Line Regulation	± 1% Max at Full Load
Load Regulation	± 5% Max at 230 Vac
Start-Up Time	3 s Max
Hold-Up Time	8.3 ms Min
Inrush Current	45 A @ 115 Vac Max at 25°C Cold Start 90 A @ 230 Vac Max at 25°C Cold Start
Mean Time Between Failure	Full Load at 25°C Ambient: 100,000 Hours Min
Operating Temperature	See Derating Curve
Storage Temperature	-20 to 85 °C
Industry Compliance	RoHS, Energy Efficiency Level V
EMI Requirements	Meets Conduction Limits of: CISPR-11 Class B and EN 55011 Class B
Safety Compliance	ANSI/AAMI ES 60601-1:2005 (UR Listed 3rd Edition)

Features:

- Universal Input 100 - 240 Vac
- IEC 320 C-14, C-6, C-8, U.S. 2-Prong and US 3-Prong Input Styles
- Over-Voltage Protection
- Short Circuit Protection
- 100% Burn-In
- RoHS 2 Compliant
- 2 MOPP Protection
- Energy Efficiency Level: V

Derating Curve



Derate Linearly from 100% at 50°C to 50% at 70°C



SM15DY - SM36DY 15 - 36 Watts

UL, EN, IEC 60601-1 3rd Edition Medical
15 - 36 Watt AC - DC Power Supply

Date: 2/11/16

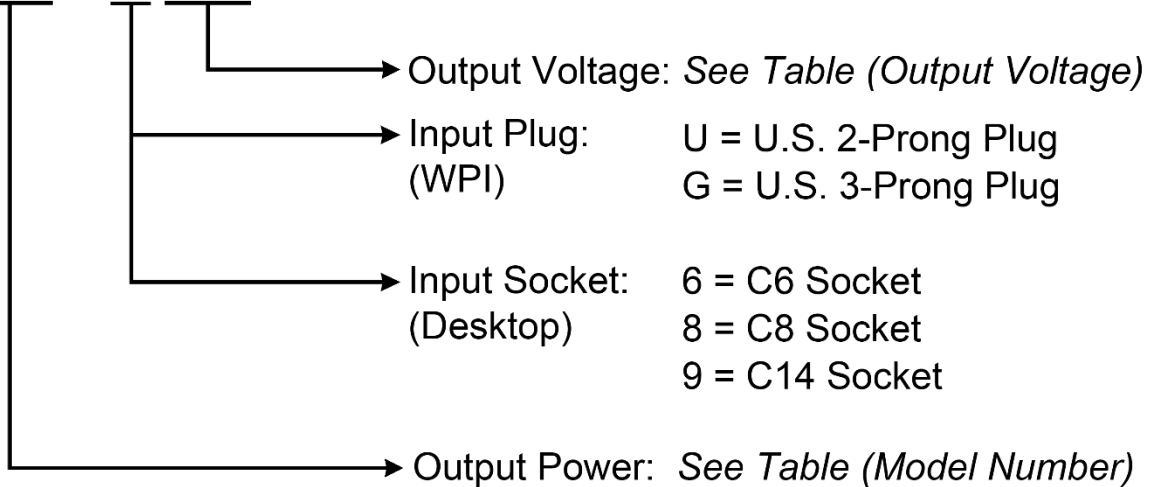
Rev: 021116

Page: 2 of 3

Output Voltage and Current Table

Model Number	Output Voltage Range	Maximum Output Current	Maximum Output Power
SM15D___R	9 - 15 Vdc	1.0 A	15 W
SM18D___R	9 - 15 Vdc	1.5 A	18 W
SM24D___R	9 - 15 Vdc	2.0 A	24 W
SM30D___R	9 - 15 Vdc	2.5 A	30 W
SM36D___R	9 - 15 Vdc	3.0 A	36 W

SM□□D□□□R



TECHNOLOGIES INC.
HICKSVILLE, NEW YORK

264 Duffy Avenue
Hicksville, NY 11801

Tel: (516) 433-1313
Fax: (516) 433-1457

Web: www.apxonline.com
Email: sales@apxonline.com

© Copyright 1978
APX Technologies, Inc.



SM15DY - SM36DY 15 - 36 Watts

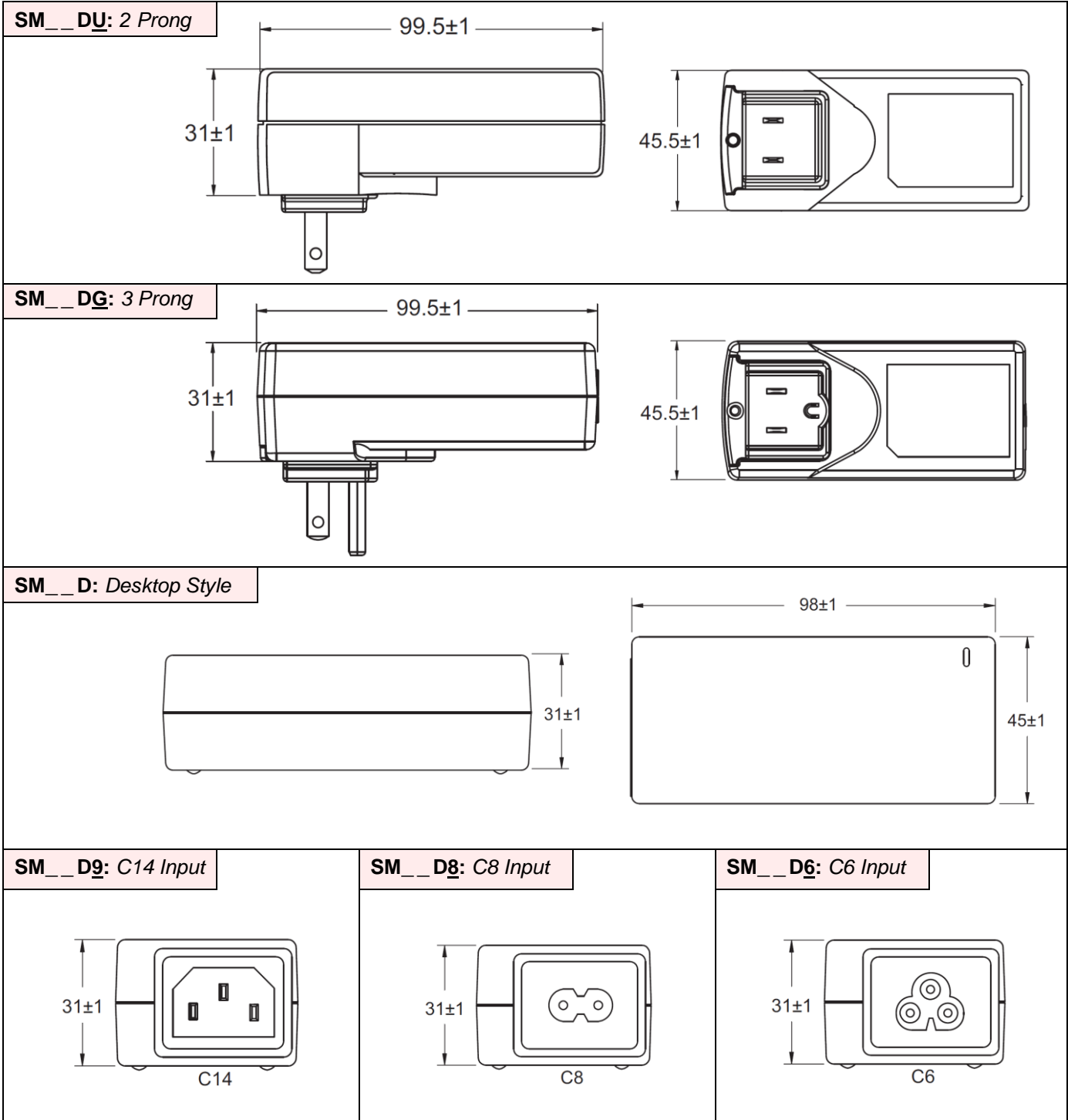
UL, EN, IEC 60601-1 3rd Edition Medical
15 - 36 Watt AC - DC Power Supply

Date: 2/11/16

Rev: 021116

Page: 3 of 3

Mechanical Specification (mm, [in])



Note: Output connector to be specified.
The cable length and wire gauge will be dependent on CEC requirements for each current level.

