



SP01DS1 – SP06DS1 Series

1 - 6 Watts AC - DC Wall Plug-In Power Supply,
Energy Efficiency Level VI, RoHS 2 Compliant

Date: 7/25/16

Rev: 072516

Page: 1 of 3

The SP01DS1 – SP06DS1 Series switch mode power supply offers 1 – 6 Watts output power, with an output voltage range of 4 Vdc – 15 Vdc. Case styles include U.S., European, British, Australian input prongs, meeting UL/cUL, EN and IEC 60950-1 2nd Edition safety criteria, and Energy Efficiency Level 6.

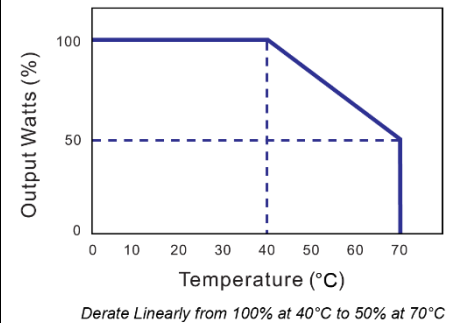


Input Voltage	90 to 264 Vac
Input Frequency	47 to 63 Hz
Input Current	0.2 A Max.
Inrush Current	50 A Max.
Leakage Current	0.25 mA Max.
Output Voltage & Current	See Table on Page 2
Ripple & Noise (P-P)	100 - 150 mV <i>Measured w/ 0.1 µF ceramic capacitor & 47 µF electrolytic capacitor in parallel</i>
Over-Voltage Protection	120 – 150%
Over-Current Protection	120 – 150%
Temperature Coefficient	± 0.04% / °C Max.
Transient Response Time	Load Change from 20% - 80%: ≤ 1 ms
Efficiency	Meets Energy Efficiency Level VI Criteria
No Load Power Consumption	Meets Energy Efficiency Level VI Criteria
Load Regulation	± 5% Typ.
Start-up Time	3 s Max.
Withstanding Voltage	Primary to Secondary: 4,242 Vdc Primary to Case: 4,242 Vdc
Mean Time Between Failure	Full Load at 25°C Ambient: 100,000 Hours Min.
Operating Temperature	See Derating Curve
Storage Temperature	-20 to 80°C
Weight	51 - 70 g (Ref.)
Industry Compliance	Directive 2011/65/EU (RoHS 2), Energy Efficiency Level VI
EMI Requirements	Meets Conduction and Radiation Limits of: FCC Part 15 Class B, CISPR-22 Class B, and EN 55022 Class B
Safety Compliance	U.S. Models: ETL/cETL (UL 60950-1:2nd Edition), FCC Japan/China Models: PSE, CCC, CB British & European Models: CE (EN 60950-1:2nd Edition), GS, CB Australian Models: RCM, CB

Features:

- Universal Input 100 - 240 Vac
- Class II
- Available with U.S., European, British, Australian, and China case styles
- Over-Current Protection
- Short Circuit Protection
- 100% Burn-In
- RoHS 2 Compliant
- Energy Efficiency Level: VI

Derating Curve





SP01DS1 – SP06DS1 Series

1 - 6 Watts AC - DC Wall Plug-In Power Supply,
Energy Efficiency Level VI, RoHS 2 Compliant

Date: 7/25/16

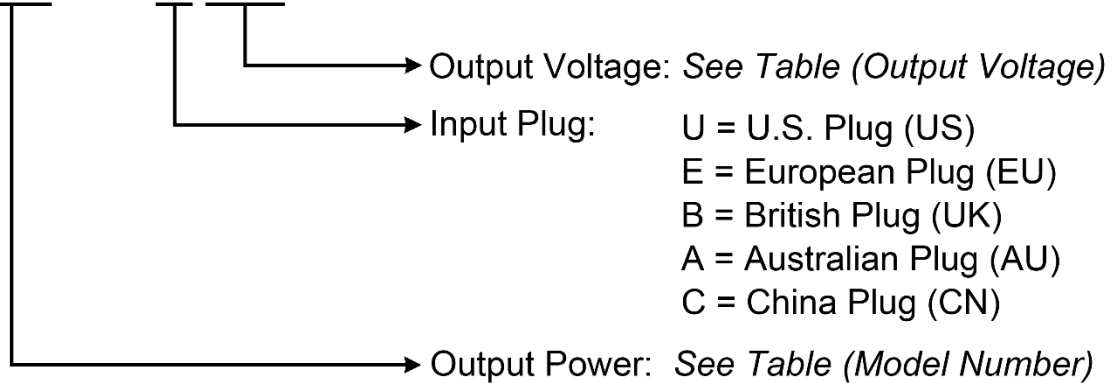
Rev: 072516

Page: 2 of 3

Output Voltage and Current Table

Model Number	Output Voltage	Output Current <i>Limited to Output Power</i>	Maximum Output Power
SP01DS1 ___ R	4 – 15 Vdc	0.25 – 0.06 A	1 W
SP02DS1 ___ R	4 – 15 Vdc	0.50 – 0.13 A	2 W
SP03DS1 ___ R	4 – 15 Vdc	0.75 – 0.20 A	3 W
SP04DS1 ___ R	4 – 15 Vdc	1.00 – 0.26 A	4 W
SP05DS1 ___ R	4 – 15 Vdc	1.20 – 0.33 A	5 W
SP06DS1 ___ R	5 – 15 Vdc	1.20 – 0.40 A	6 W

SP□□DS1□□□R





SP01DS1 – SP06DS1 Series

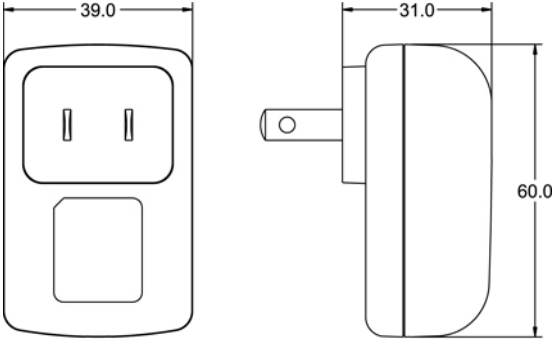
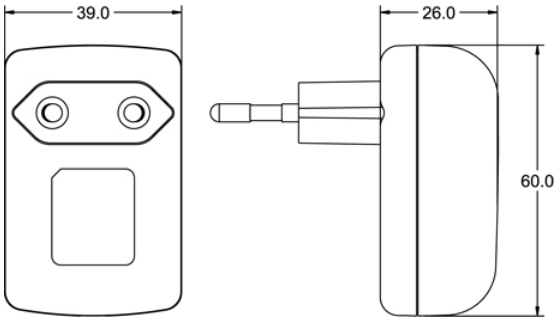
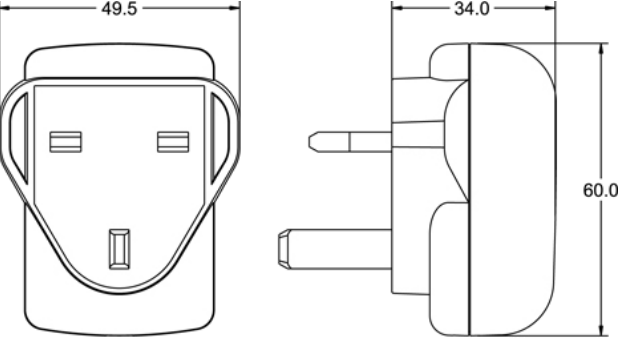
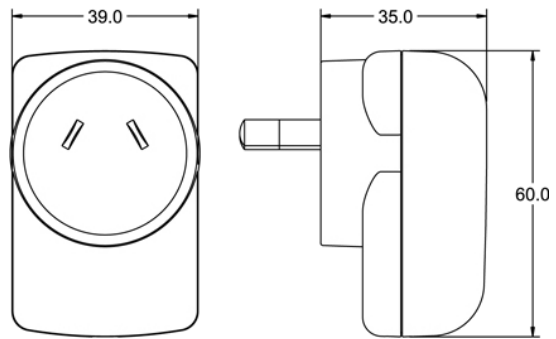
1 - 6 Watts AC - DC Wall Plug-In Power Supply,
Energy Efficiency Level VI, RoHS 2 Compliant

Date: 7/25/16

Rev: 072516

Page: 3 of 3

Mechanical Specification (mm)

SP__DS1 <u>U</u> : U.S. Plug	SP__DS1 <u>E</u> : European Plug
	
SP__DS1 <u>B</u> : British Plug	SP__DS1 <u>A</u> : Australian Plug
	
<p>Note: Output connector to be specified by customer. Standard connector is a 2.5 x 5.5 x 11 mm female barrel plug, center positive (+). The cable length and wire gauge will be dependent on the Energy Efficiency level requirements.</p>	