



SP05QY – SP07QY Series

5 - 7 Watts AC - DC Wall Plug-In Power Supply
UL/EN/IEC 62368-1 2nd Ed., DoE VI, CoC v5 Tier 2

Date: 9/27/18

Rev: 071818

Page: 1 of 3

The SP05QY – SP07QY Series switch mode power supply offers 5 Watts to 7 Watts output power, with an output voltage range of 3.3 Vdc - 24 Vdc. Case styles include US, European, and British input prongs, with UL/cUL, EN and IEC 62368-1 2nd Edition and 60950-1 2nd Edition safety approvals, DoE Level 6 and CoC v5 Tier 2.



Features:

- Universal Input 100 - 240 Vac
- Available with U.S., European, British case styles
- Over-Voltage Protection
- Over-Current Protection
- Short Circuit Protection
- 100% Burn-In
- RoHS 2 Compliant
- Energy Efficiency Level: DoE VI
- CoC v5 Tier 2

Input Voltage	90 to 264 Vac
Input Frequency	47 to 63 Hz
Input Current	0.19 A Max.
Leakage Current	0.25 mA Max.
Output Voltage & Current	See Table on Page 2
Ripple & Noise (P-P) ¹	2% Max.
Over-Voltage Protection	Unit is protected from over-voltage conditions
Over-Current Protection	Unit is protected from over-current conditions
Transient Response Time	with 50% Load Change: 0.5 ms
Efficiency	Meets DoE Level VI and CoC v5 Tier 2 Criteria
No Load Power Consumption	Meets DoE Level VI and CoC v5 Tier 2 Criteria
Load Regulation	± 5% Typ.
Hold-Up Time	10 ms Min.
Withstanding Voltage	Primary to Secondary: 3,000 Vac Min.
Mean Time Between Failure	Full Load at 25°C Ambient: 300,000 Hours Min. (Telcordia)
Operating Temperature	0 to 40°C
Storage Temperature	-20 to 80°C
Weight	US Models: 82 g European Model: 96 g British Model: 100 g
Industry Compliance	RoHS 2, DoE VI, CoC v 5 Tier 2
EMC Requirements	EN 55024, EN 61000-3-2, -3-3
EMI Requirements	Meets Conduction and Radiation Limits of: FCC Part 15 Class B, CISPR-32 Class B, and EN 55032 Class B
Safety Compliance	US/Japan Models: UL/cUL (UL/CSA 62368-1:2 nd Ed., 60950-1:2 nd Ed.), PSE, BSMI, CB (IEC 62368-1:2 nd Ed.), LPS British & Euro Models: CE, GS (EN 60950-1:2 nd Ed.), CB (EN/IEC 62368-1:2 nd Ed.), LPS

Note:

1. Ripple & Noise are measured with a 0.1 µF multilayer capacitor & 47 µF low ESR electrolytic capacitor in parallel and a 20 MHz bandwidth-limited scope.



SP05QY – SP07QY Series

5 - 7 Watts AC - DC Wall Plug-In Power Supply
UL/EN/IEC 62368-1 2nd Ed., DoE VI, CoC v5 Tier 2

Date: 9/27/18

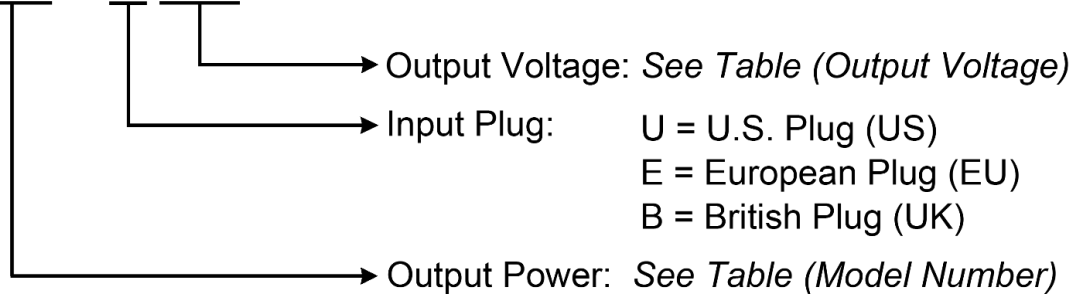
Rev: 071818

Page: 2 of 3

Output Voltage and Current Table

Model Number	Output Voltage	Output Current	Output Power
SP05Q_03R	3.3 Vdc	1.50 A	5.0 W
SP05Q_05R	5.0 Vdc	1.00 A	5.0 W
SP07Q_05R	5.0 Vdc	1.50 A	7.5 W
SP07Q_06R	5.9 Vdc	1.20 A	7.0 W
SP07Q_07R	7.5 Vdc	1.00 A	7.5 W
SP06Q_09R	9.0 Vdc	0.67 A	6.0 W
SP07Q_12R	12.0 Vdc	0.60 A	7.0 W
SP07Q_15R	15.0 Vdc	0.50 A	7.5 W
SP06Q_18R	18.0 Vdc	0.33 A	6.0 W
SP06Q_24R	24.0 Vdc	0.25 A	6.0 W

SP Q R





SP05QY – SP07QY Series

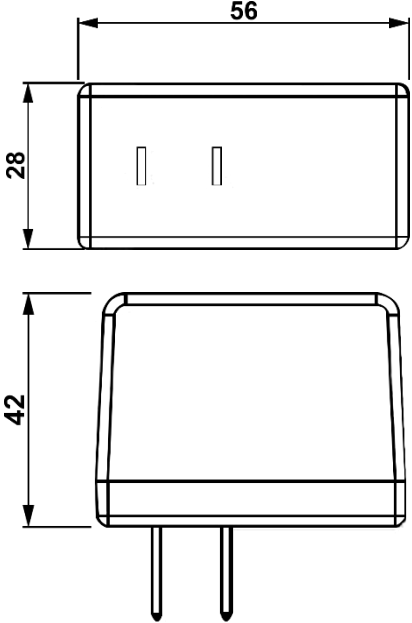
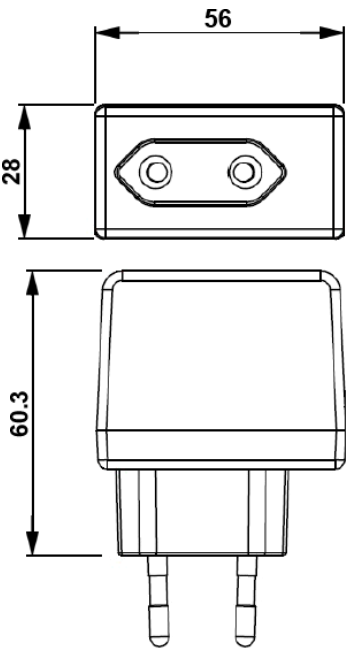
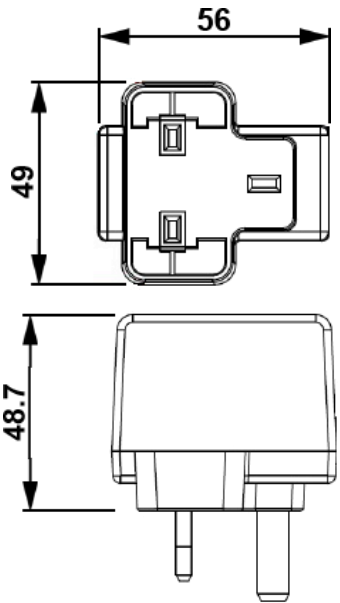
5 - 7 Watts AC - DC Wall Plug-In Power Supply
UL/EN/IEC 62368-1 2nd Ed., DoE VI, CoC v5 Tier 2

Date: 9/27/18

Rev: 071818

Page: 3 of 3

Mechanical Specification (mm)

SP__QU: US/Japan Plug	SP__QE: European Plug
	
SP__QB: British Plug	
	
<p>Note: Output connector to be specified by customer. APX will be happy to recommend the appropriate connector for your application needs. The cable length and wire gauge will be dependent on the Energy Efficiency level requirements.</p>	